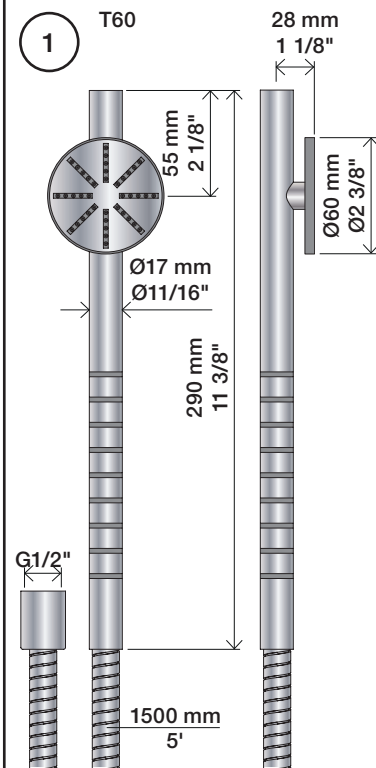
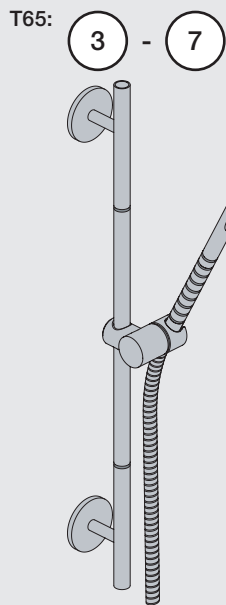
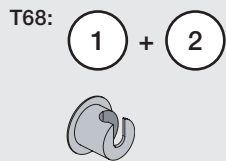
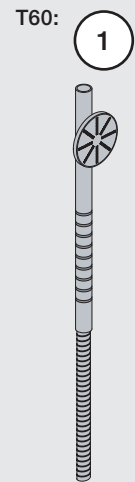


Fitting instruction  
 Montageanleitung  
 Monteringsvejledning  
 Monteringsvægledning  
 Montage hanleiding  
 Manuel de montage

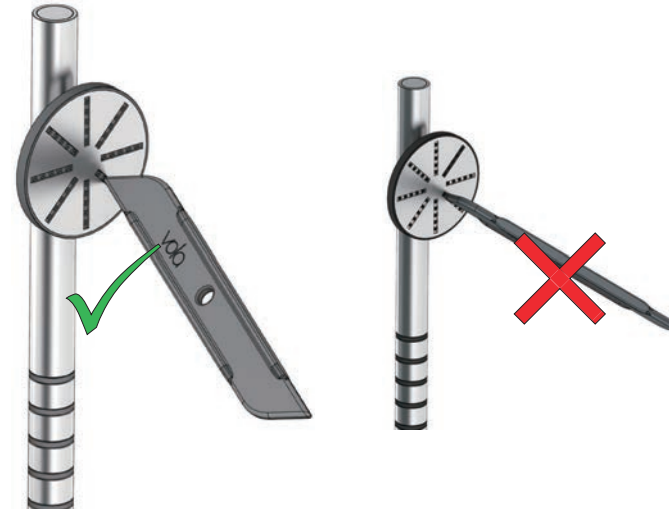


Data	Bar:	1	2	3	4	5
T60	(l/min) (Gal/min)	6.9 1.8	9.8 2.6	12 3.2	14 3.7	15 4.1
Max. 65°C. 150°F						



USA:  
 Max. flow rate:  
 1.6 Gal/min  
 6.0 l/min.

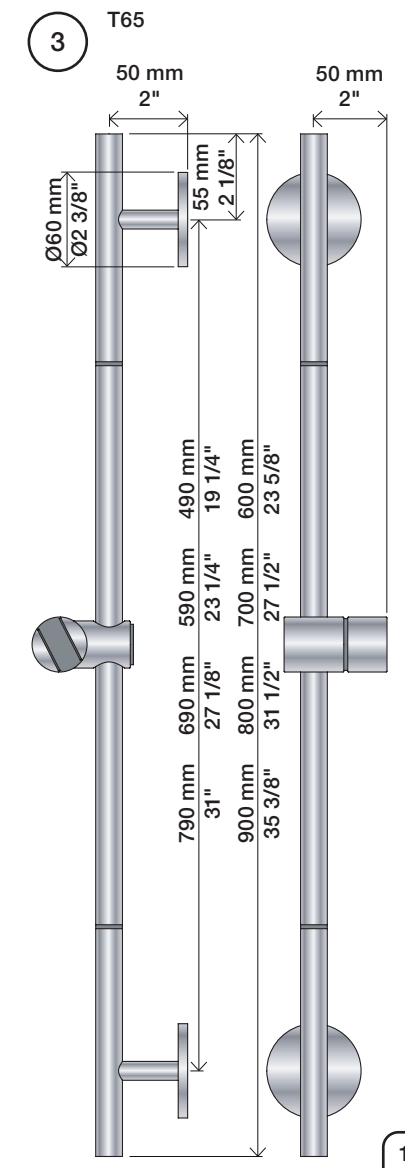
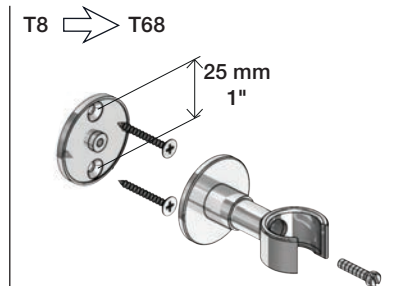
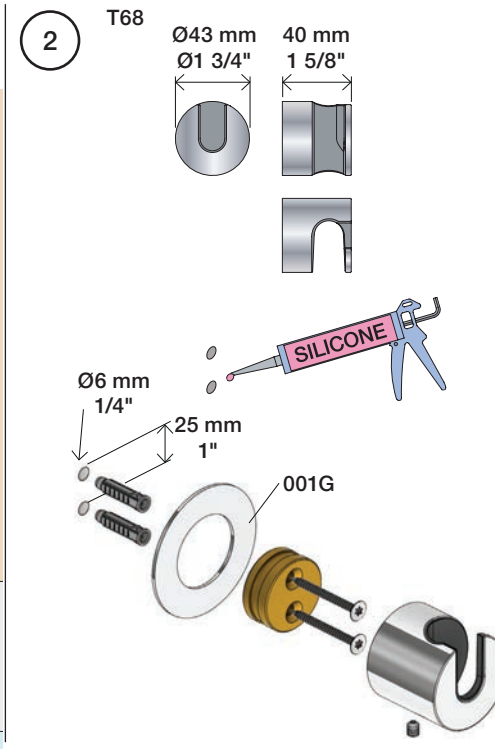
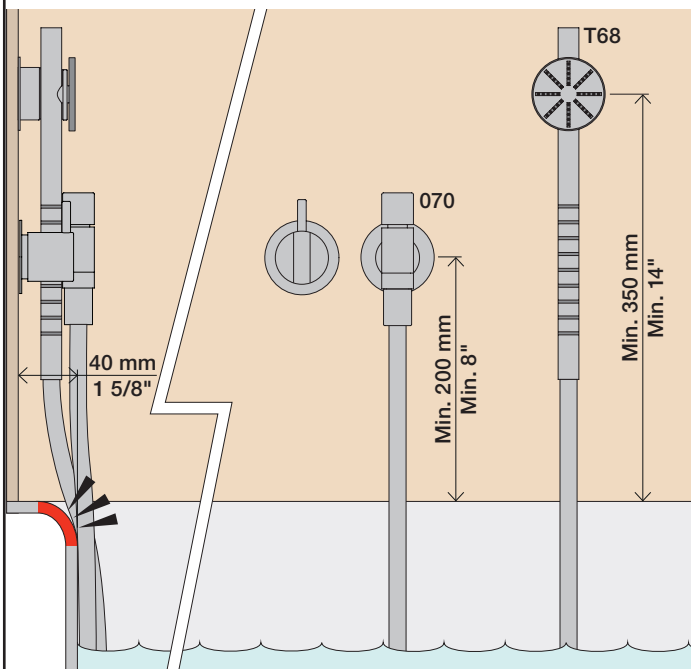
Service - VR556

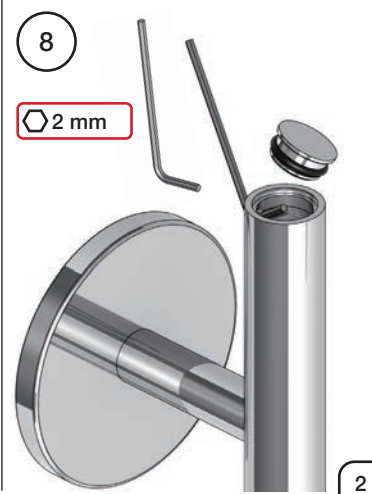
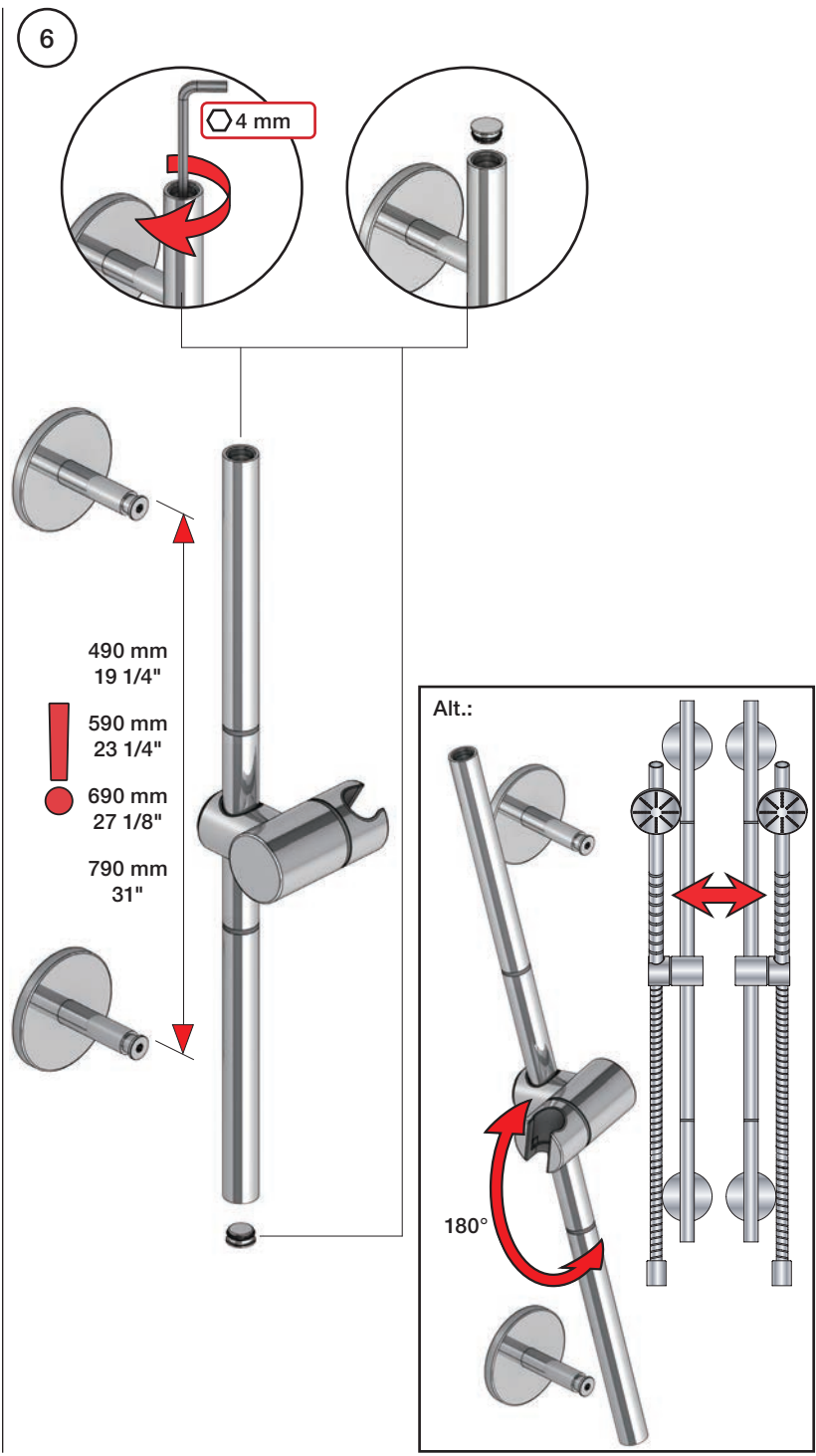
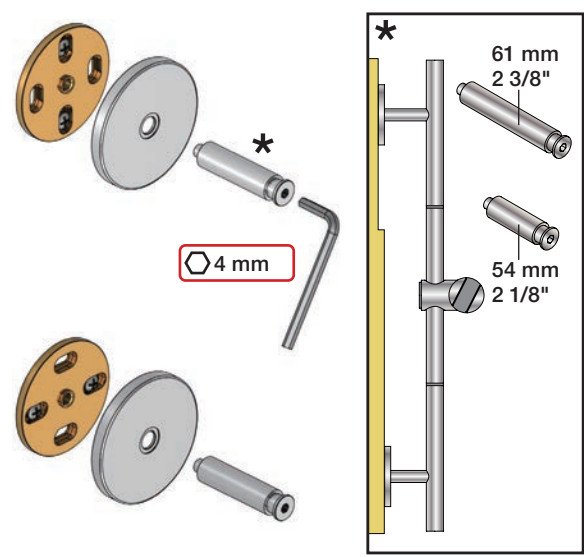
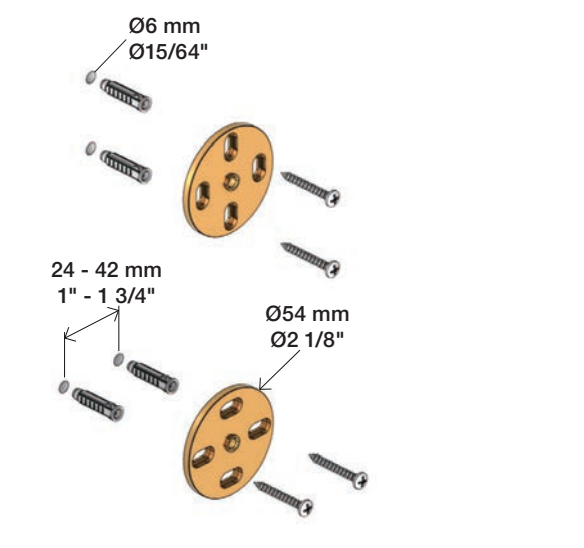
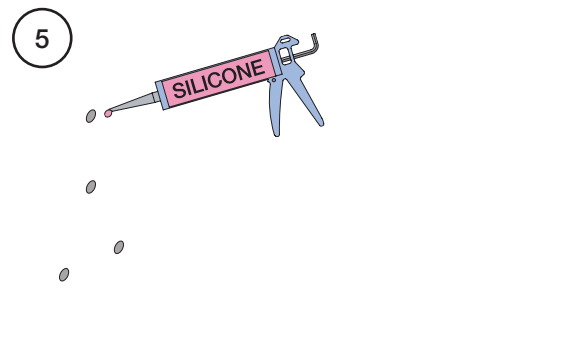
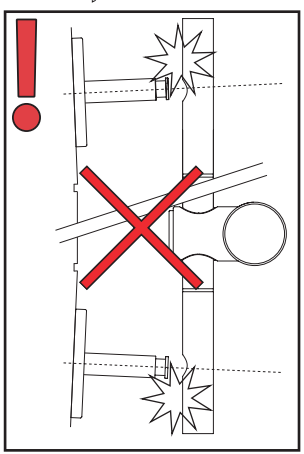
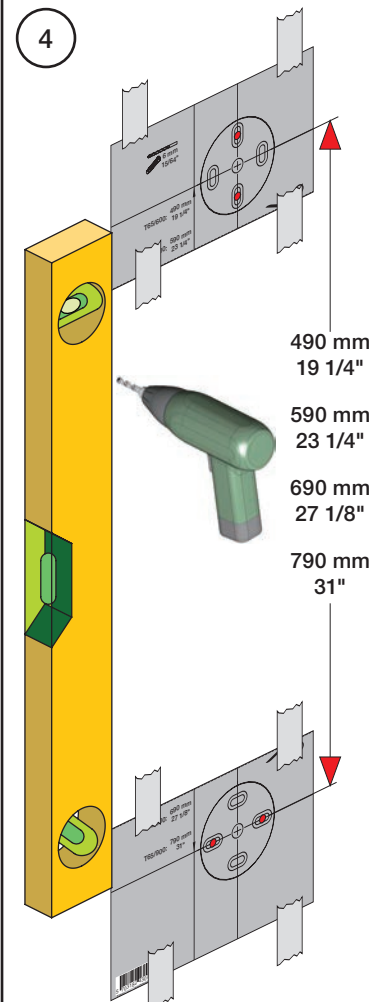


Bathtub  
Badewanne

Badekar  
Badkar

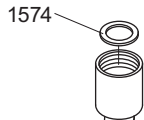
Badkuip  
Baignoire



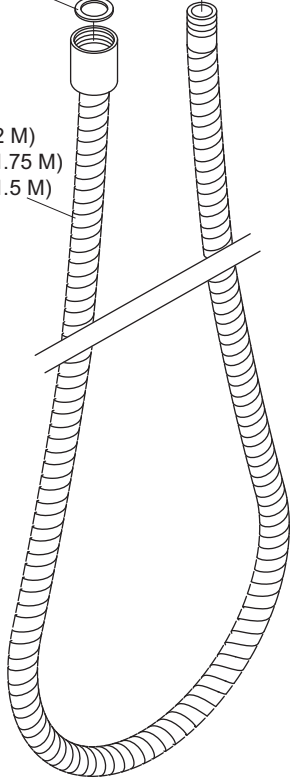




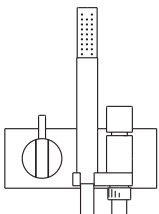
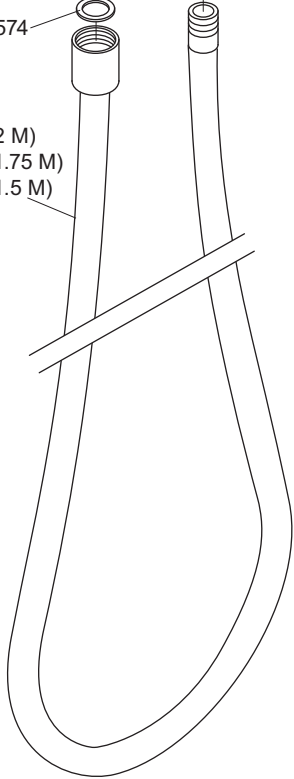
161L USA Only (2 Gal/min - 7.6 l/min - US Standard)  
1575



1570 (2 M)  
1570A (1.75 M)  
1570B (1.5 M)



1578 (2 M)  
1578A (1.75 M)  
1578B (1.5 M)



**VOLA A/S**  
Lunavej 2  
DK-8700 Horsens  
Tlf : + 45 7023 5500  
Fax: + 45 7023 5511  
sales@vola.com  
www.vola.com

**VOLA T60**

Dato  
Mar. 15

Rev.  
0

Blad  
SB 42.60