

VOLA 500, 590, 500T1  
 VOLA 2500  
 VOLA SC1, SC3, SC5, SC7, SC9, SC10, SC12

Fitting instruction  
 Montageanleitung  
 Monteringsvejledning  
 Monteringsvægledning  
 Montage hanleiding  
 Manuel de montage



04/00027  
 04/00038



www.vola.com

500 - 2500\_V0\_40998137  
 02-10-2023



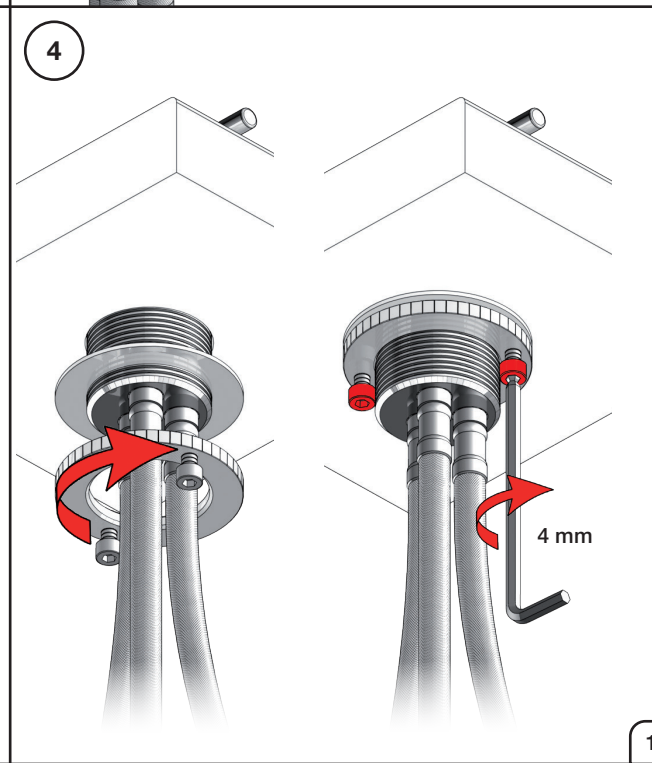
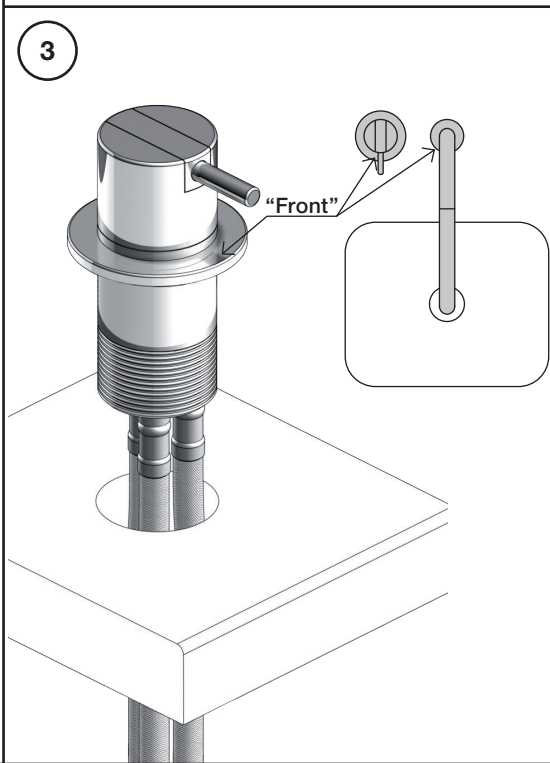
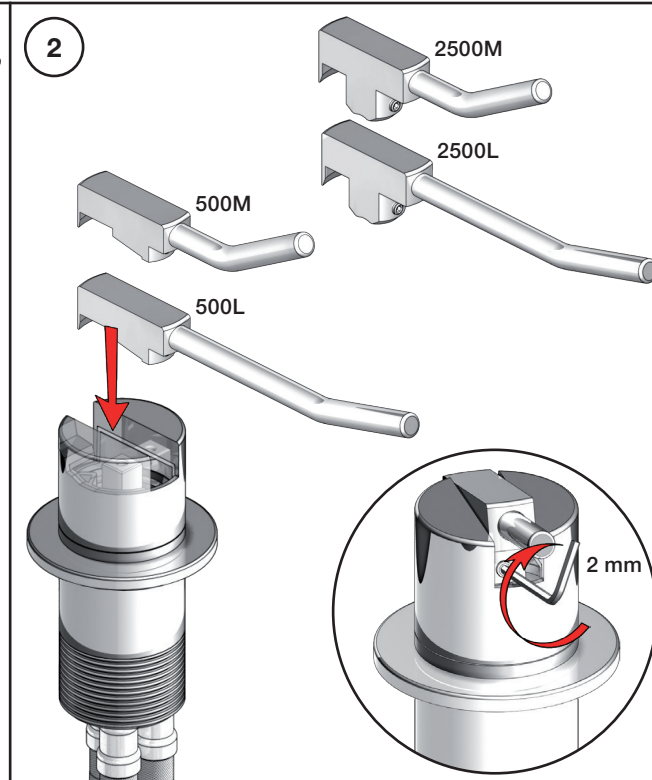
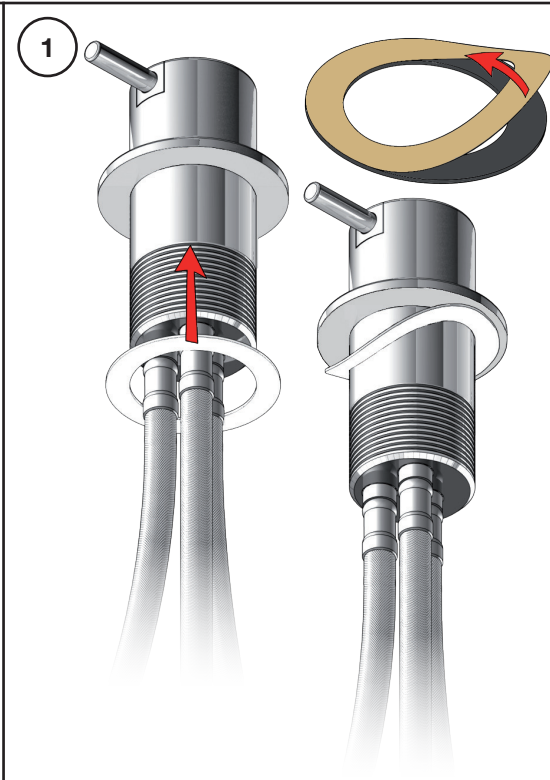
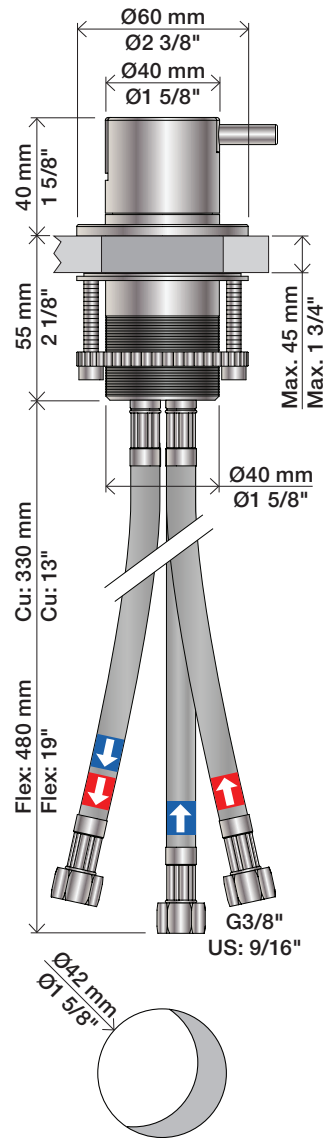
vola

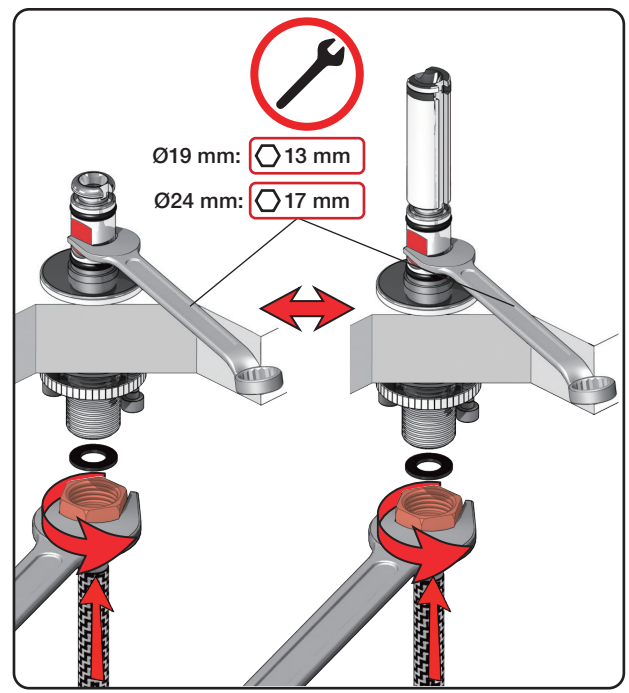
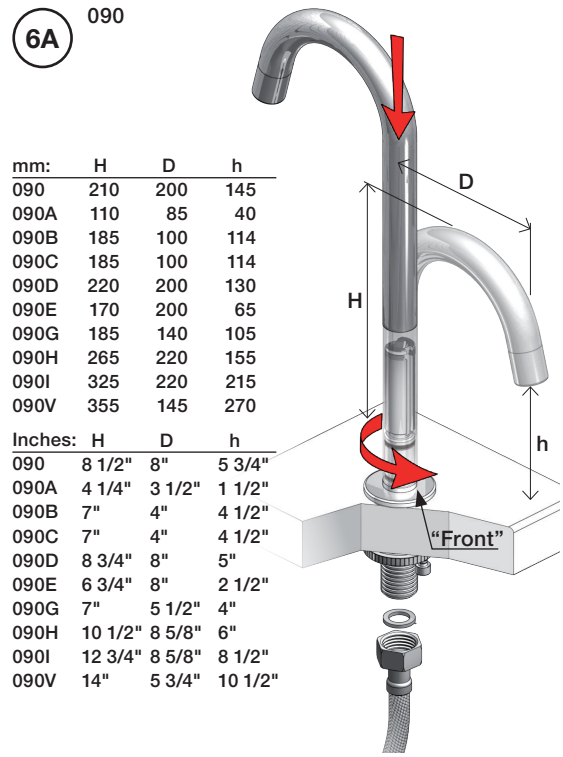
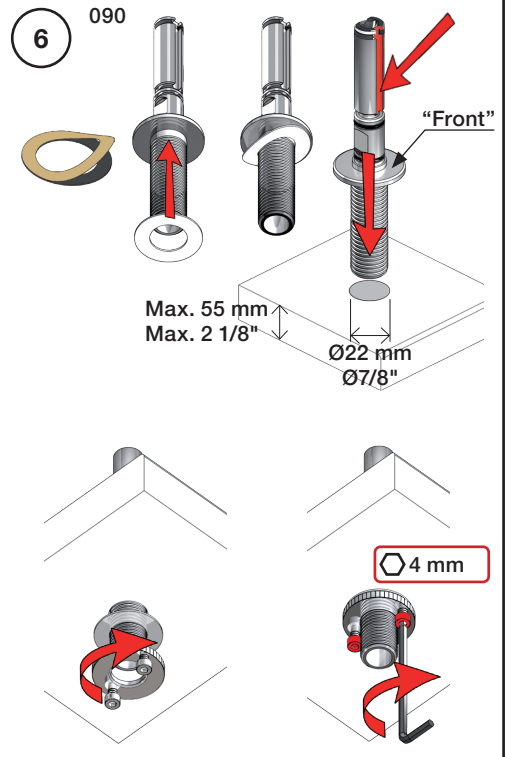
**Data, 3 Bar /43.5 Psi:**

	l/min.	Gal/min.
500:	14,5	3,8
590:	9,0	2,4
500-T1:	11,0	2,9
2500:	18,7	4,9
SC1:	18,7	4,9
SC5, 7:	18,0	4,8
SC9:	11,0	2,9

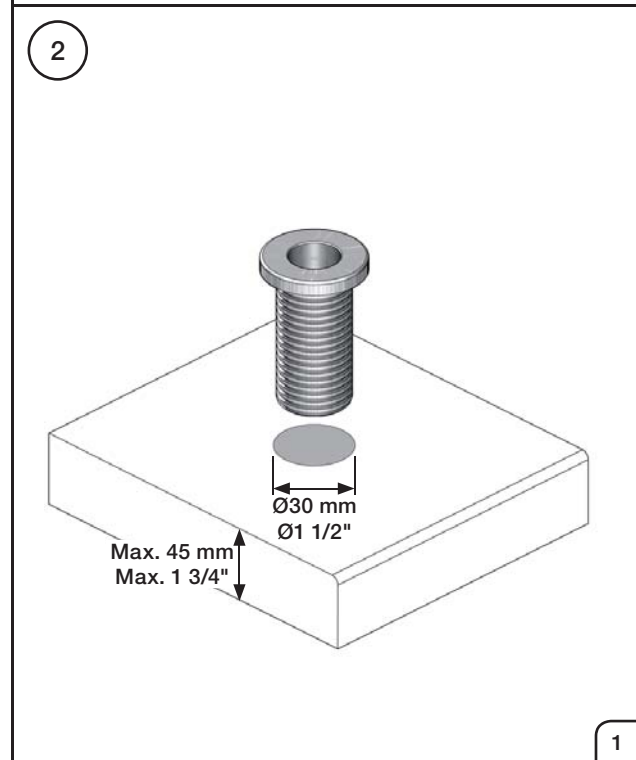
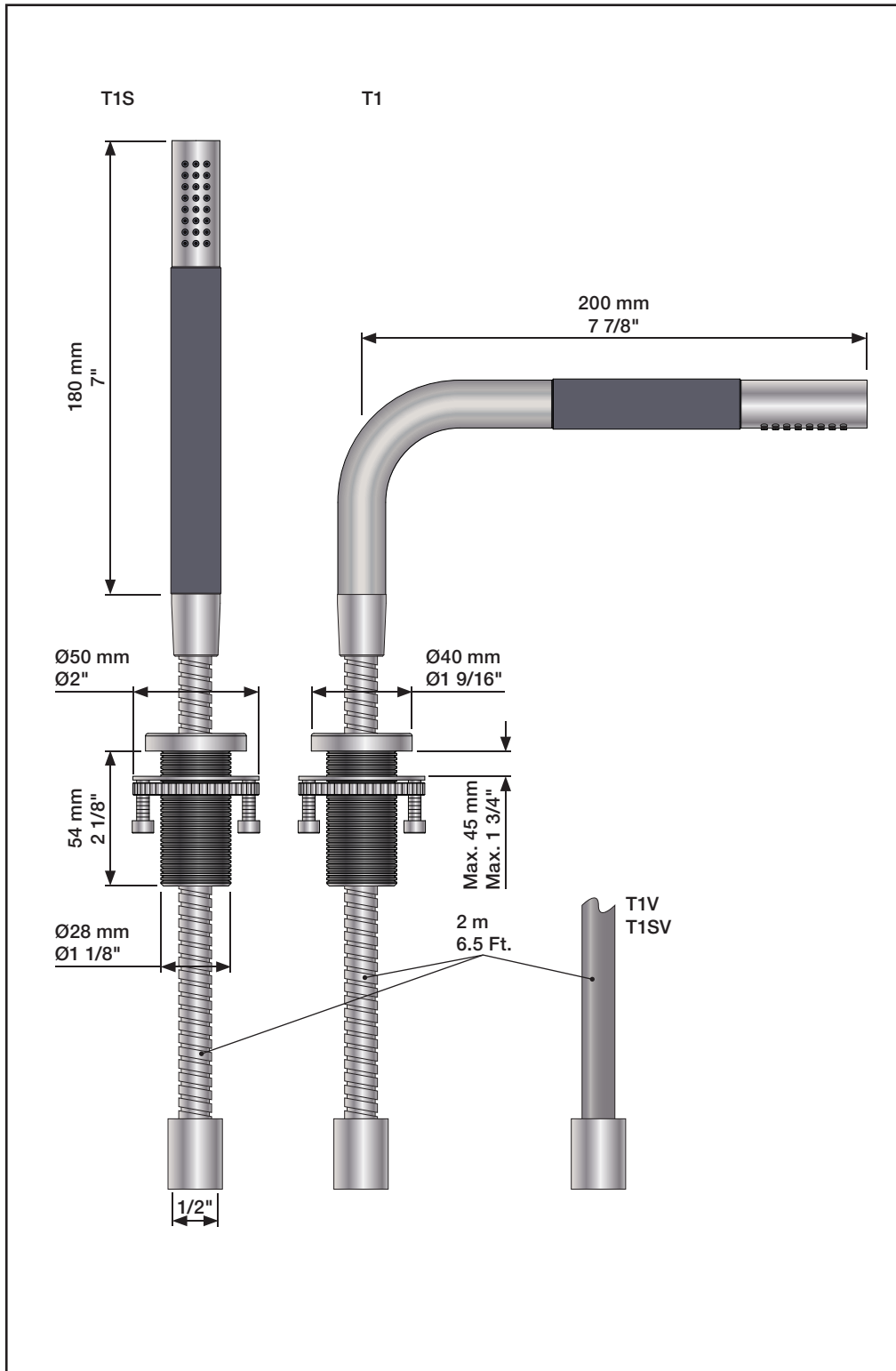
Max. 65°C, 150°F

500/2500:

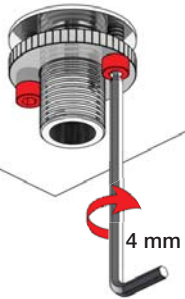




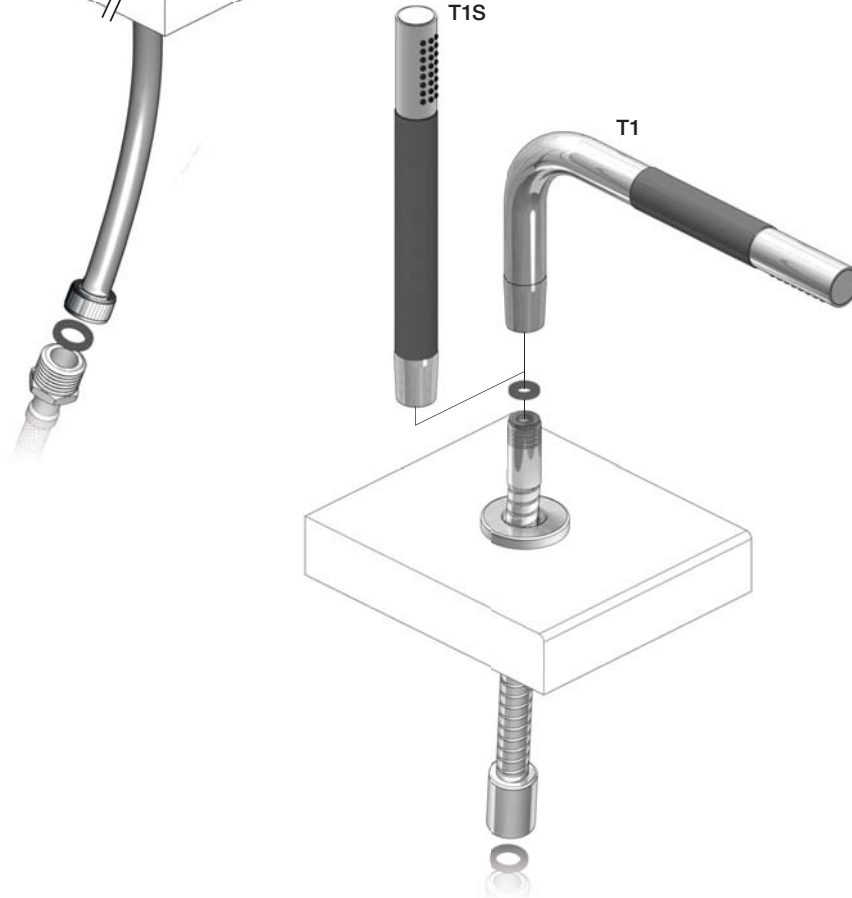
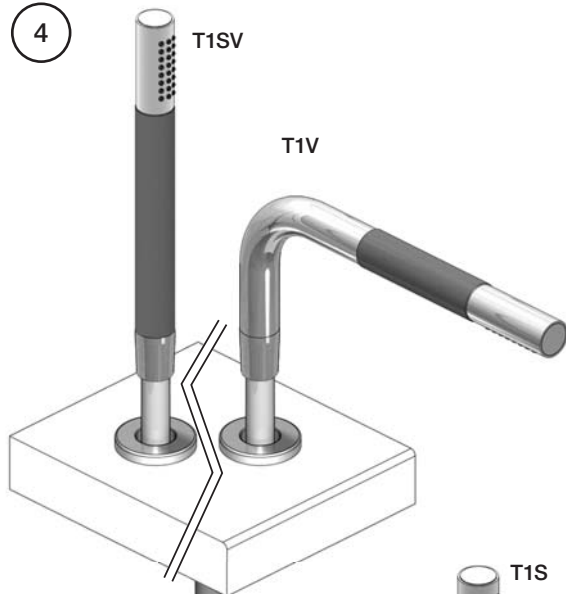
Fitting instruction  
 Montageanleitung  
 Monteringsvejledning  
 Monteringsvægledning  
 Montage hanleiding  
 Manuel de montage



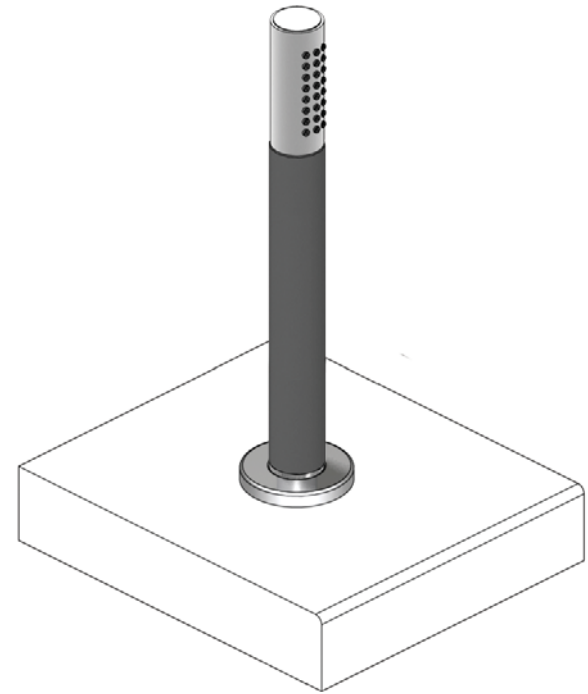
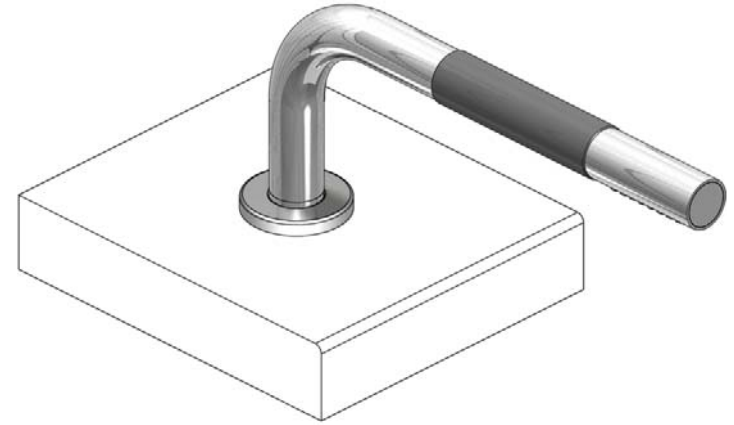
3

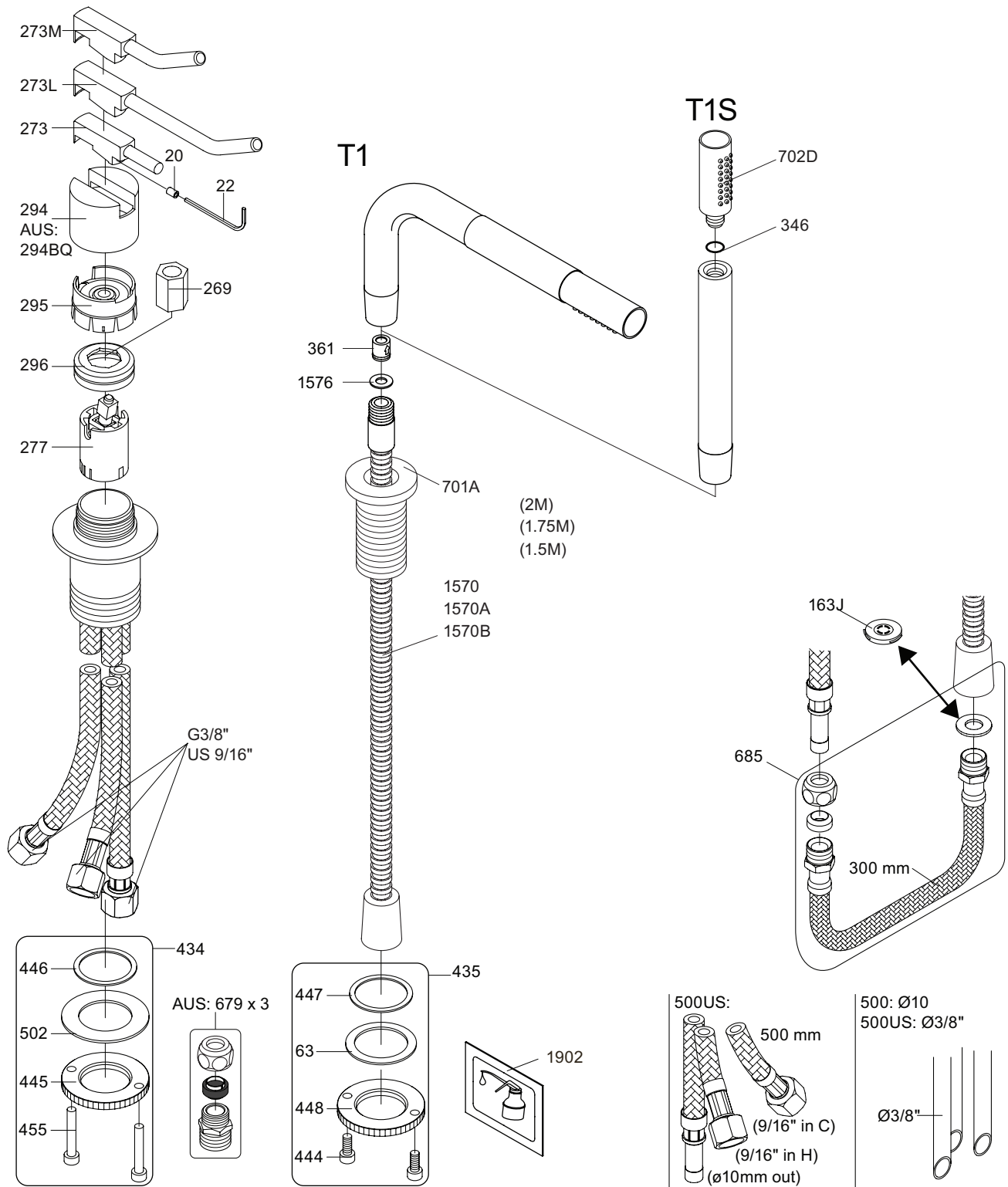


4



5





- VR277K: VR22, VR269, VR277  
 VR297: VR20, VR22, VR269, VR273, VR277, VR294, VR295, VR296  
 VR434: VR445, VR446, VR502, 2xVR455  
 VR435: VR63, VR447, VR448, 2xVR455  
 NR.10: VR20, VR22, VR273, VR294, VR295



**vola**  
 Lunavej 2  
 DK-8700 Horsens  
 Tlf : + 45 7023 5500  
 sales@vola.com  
 www.vola.com

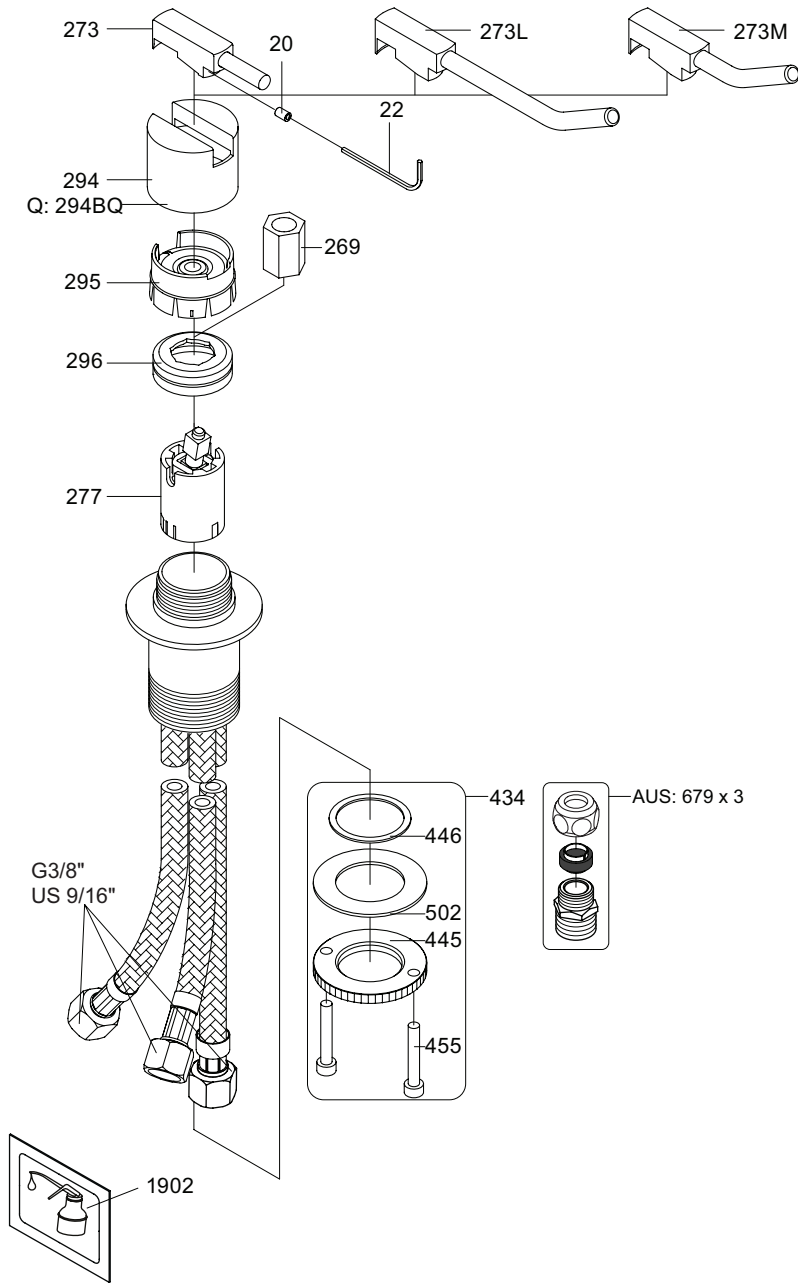
**VOLA 500T1**  
**500T1S, SC9m SC9S**

Date  
 jan. 23

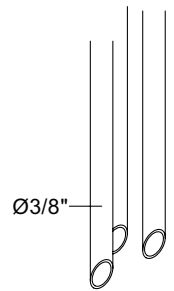
Rev.  
**3**

Sheet  
**SB 27.67**

500:



500: Ø10  
500US: Ø3/8"



- |         |  |
|---------|--|
| VR277K: | VR22, VR269, VR277                                   |
| VR297:  | VR20, VR22, VR269, VR273, VR277, VR294, VR295, VR296 |
| VR434:  | 2xVR444, VR445, 2xVR455, VR502                       |
| NR.10:  | VR20, VR22, VR273, VR294, VR295                      |



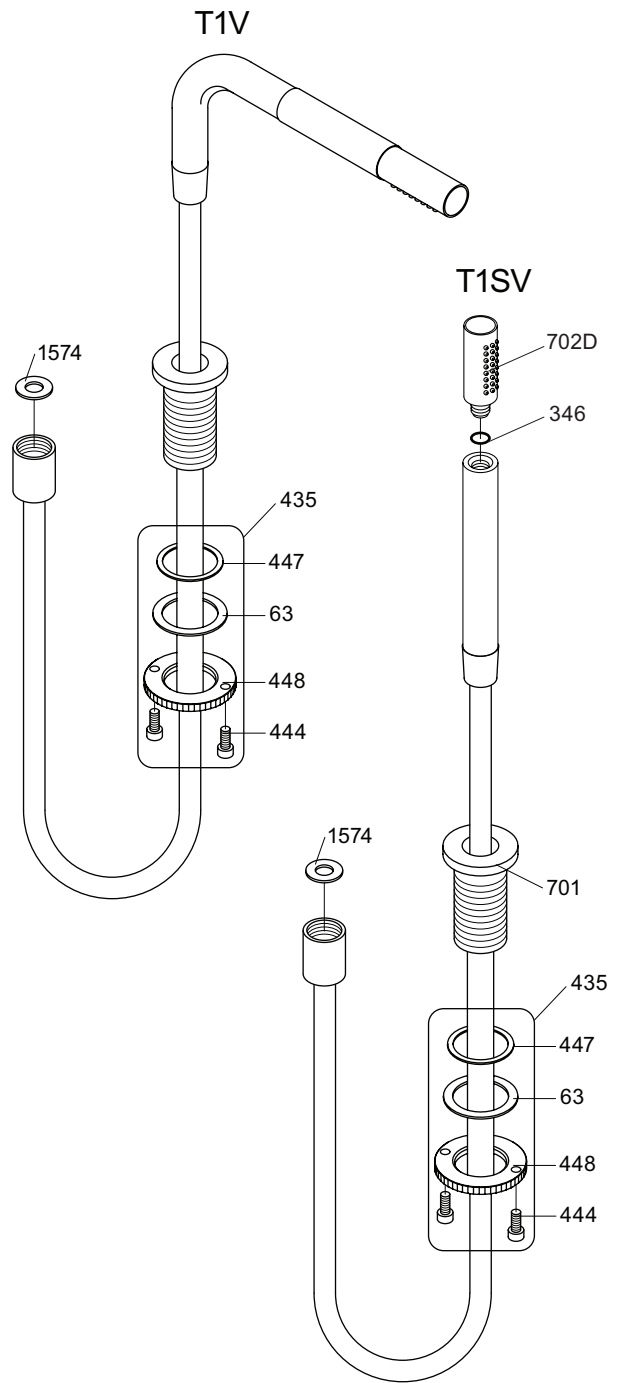
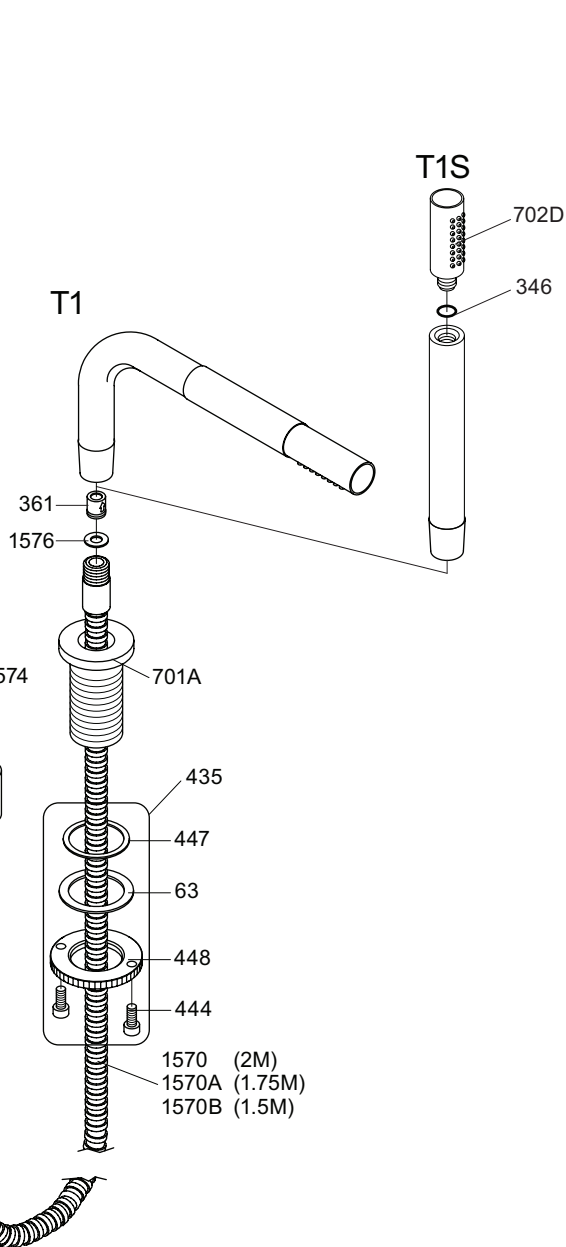
**vola**  
 Lunavej 2  
 DK-8700 Horsens  
 Tlf : + 45 7023 5500  
 sales@vola.com  
 www.vola.com

**VOLA 500/M/L**

Date  
Jan. 23

Rev.  
4

Sheet  
SB 4.1



VR435: VR63, 2xVR444, VR447, VR448



**vola**  
Lunavej 2  
DK-8700 Horsens  
Tlf : + 45 7023 5500  
Fax: + 45 7023 5511  
sales@vola.com  
www.vola.com

# VOLA T1, T1S T1V, T1SV

Date  
Jun. 17

Rev.  
6

Sheet  
SB 39