

VOLA S50, S50D, S50DH
 VOLA KV3, KV4, KV9, KV10, KV15
 VOLA HV5, HV8, HV10
 VOLA SC2, SC4, SC6, SC8, SC11, SC13

Fitting instruction
 Montageanleitung
 Monteringsvejledning
 Monteringsvægledning
 Montage hanleiding
 Manuel de montage



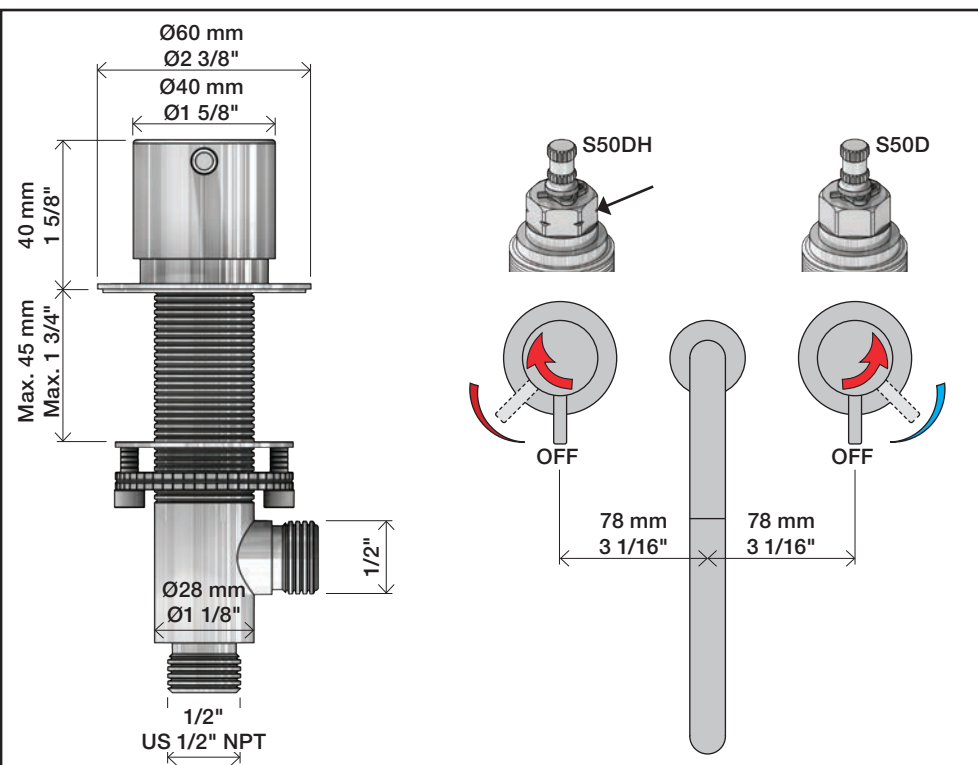
04/00115
 04/00307
 04/00340



www.vola.com

vola

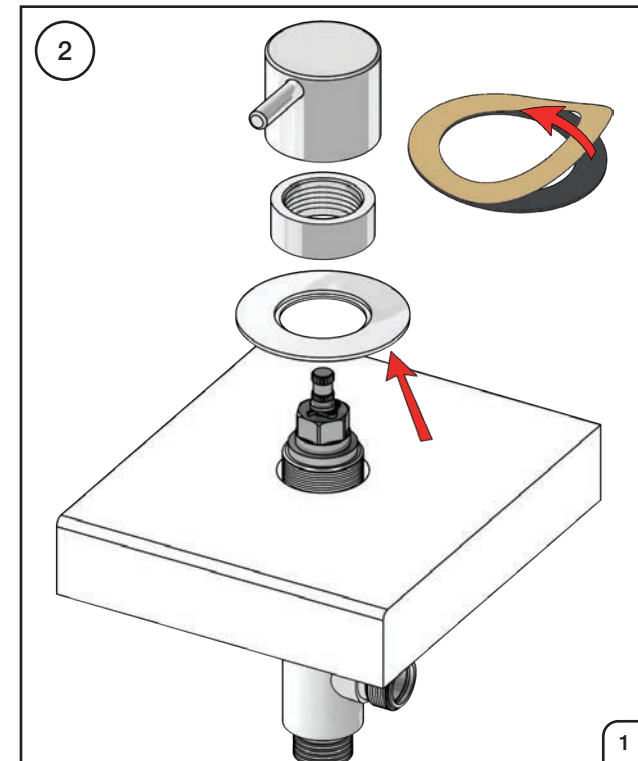
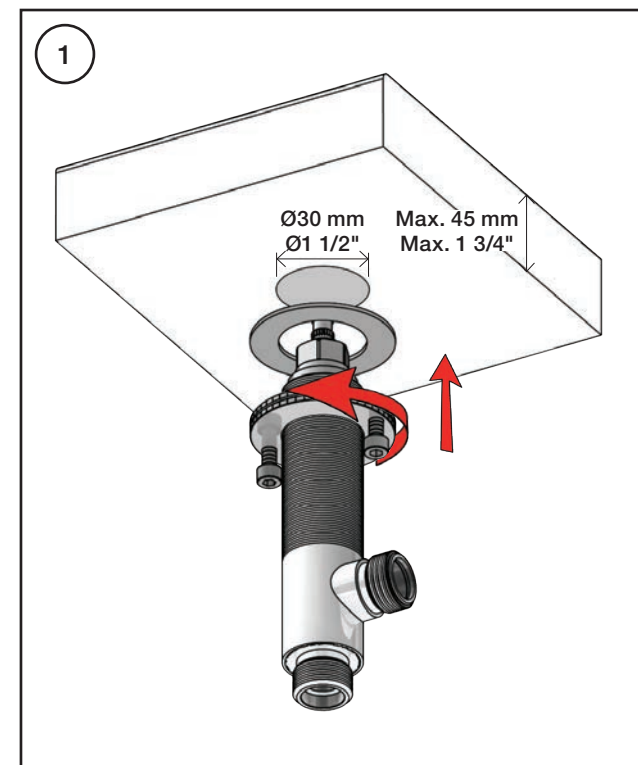
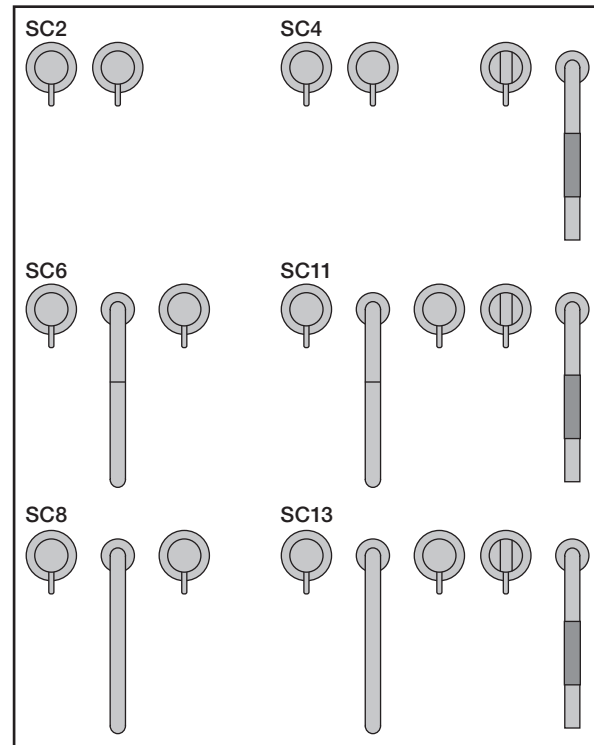
S50_V9_40999831
 08-08-2024

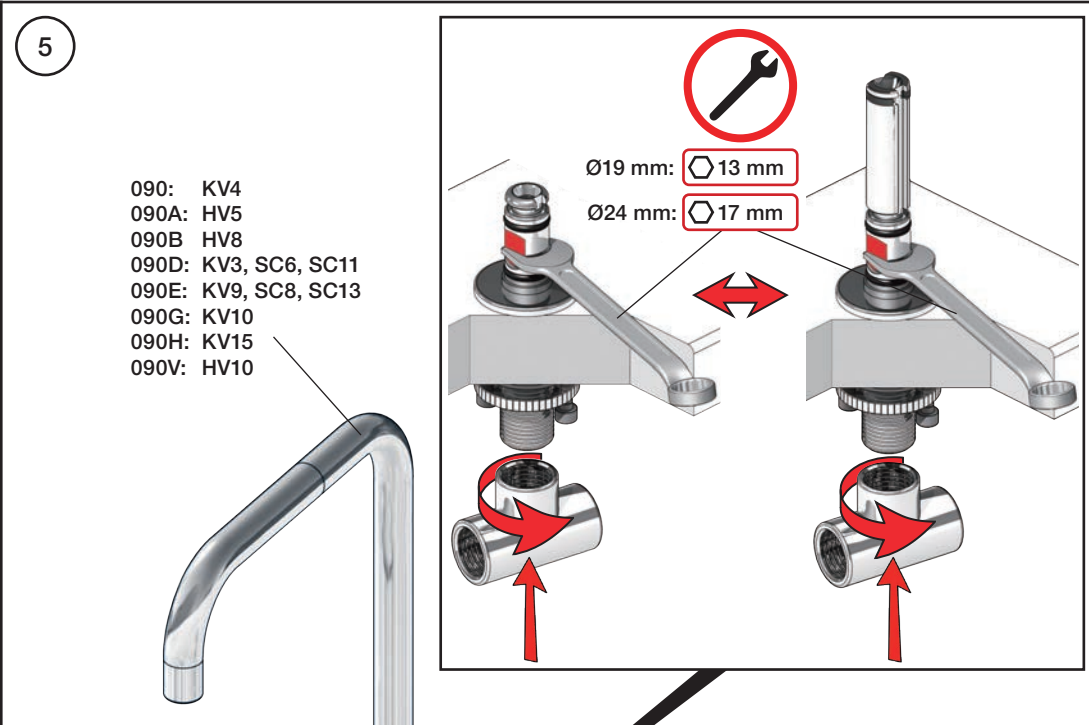
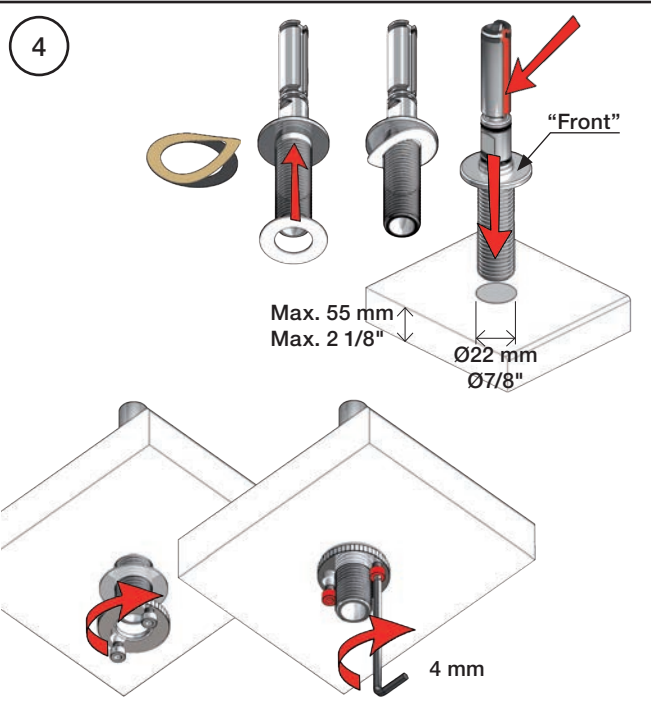
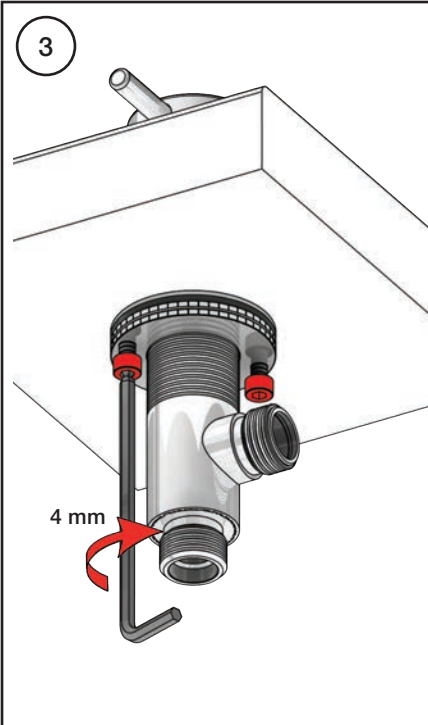


Data, 3 Bar/43.5 Psi:

	l/min.	Gal/min.
S50:	32,0	8.5
KV3:	30,0	7.9
KV4:	9,0	2.4
KV10, 15:	9,0	2.4
HV5, 8, 10:	9,0	2.4
SC2, 4 (A24):	16,0	4.2
SC6, 8, 11, 13: (C)	26,0	6.9

Max. 65°C, 150°F

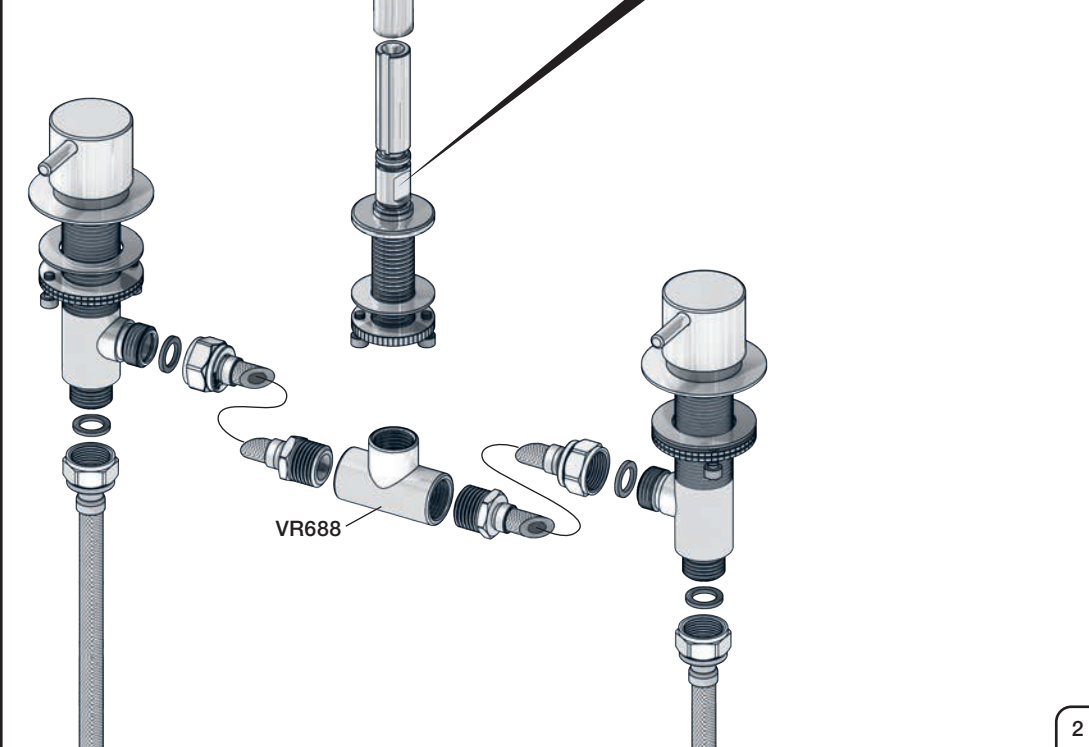
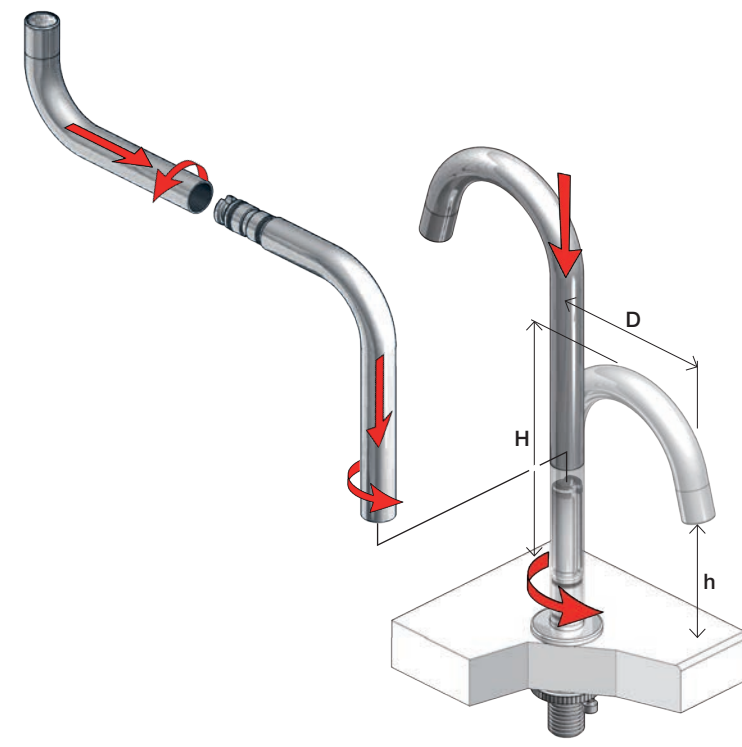




4A

mm:	H	D	h
090	210	200	145
090A	110	85	40
090B	185	100	114
090C	185	100	114
090D	220	200	130
090E	170	200	65
090G	185	140	105
090H	265	230	155
090I	325	230	216
090V	355	145	270

Inches:	H	D	h
090	8 1/2"	8"	5 3/4"
090A	4 1/4"	3 1/2"	1 1/2"
090B	7"	4"	4 1/2"
090C	7"	4"	4 1/2"
090D	8 3/4"	8"	5"
090E	6 3/4"	8"	2 1/2"
090G	7"	5 1/2"	4"
090H	10 1/2"	9"	6"
090I	12 3/4"	9"	8 1/2"
090V	14"	5 3/4"	10 1/2"



VOLA 090, 090A, 090B:
 VOLA 090C, 090D, 090E:
 VOLA 090G, 090H, 090I, 090V:

1 - 4

VOLA 090FM:

5

Fitting instruction Monteringsvægledning
 Montageanleitung Montage hanledning
 Monteringsvejledning Manuel de montage



04/00045
 04/00109



www.vola.com

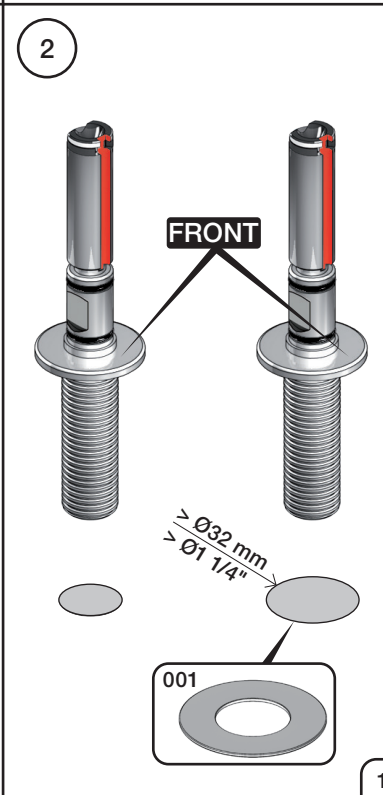
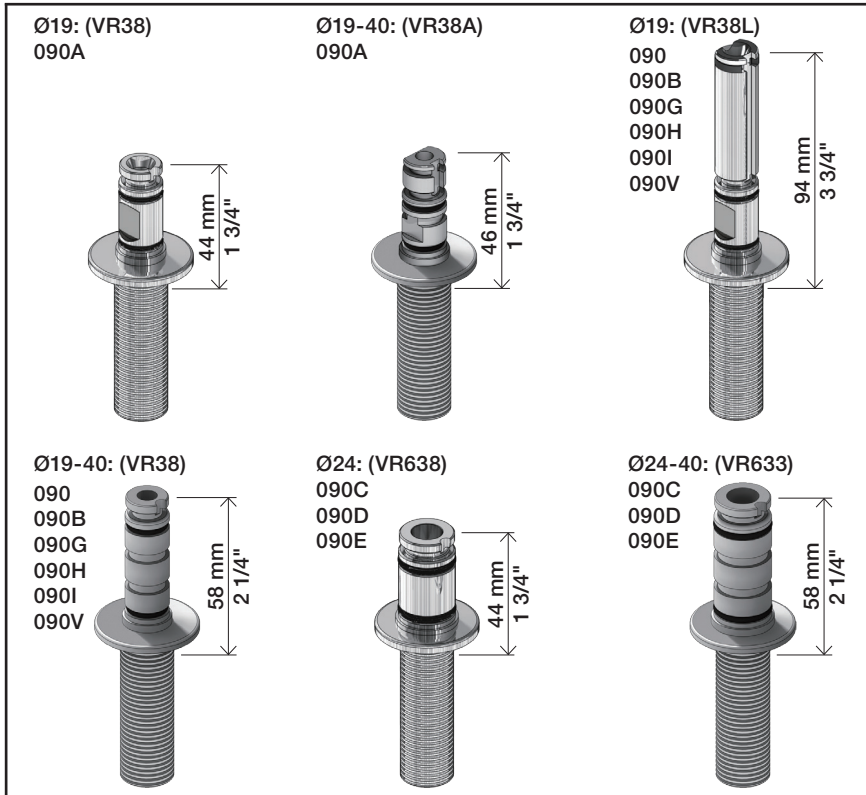
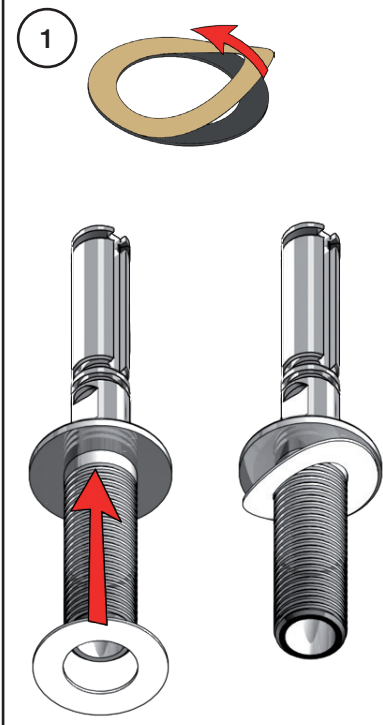


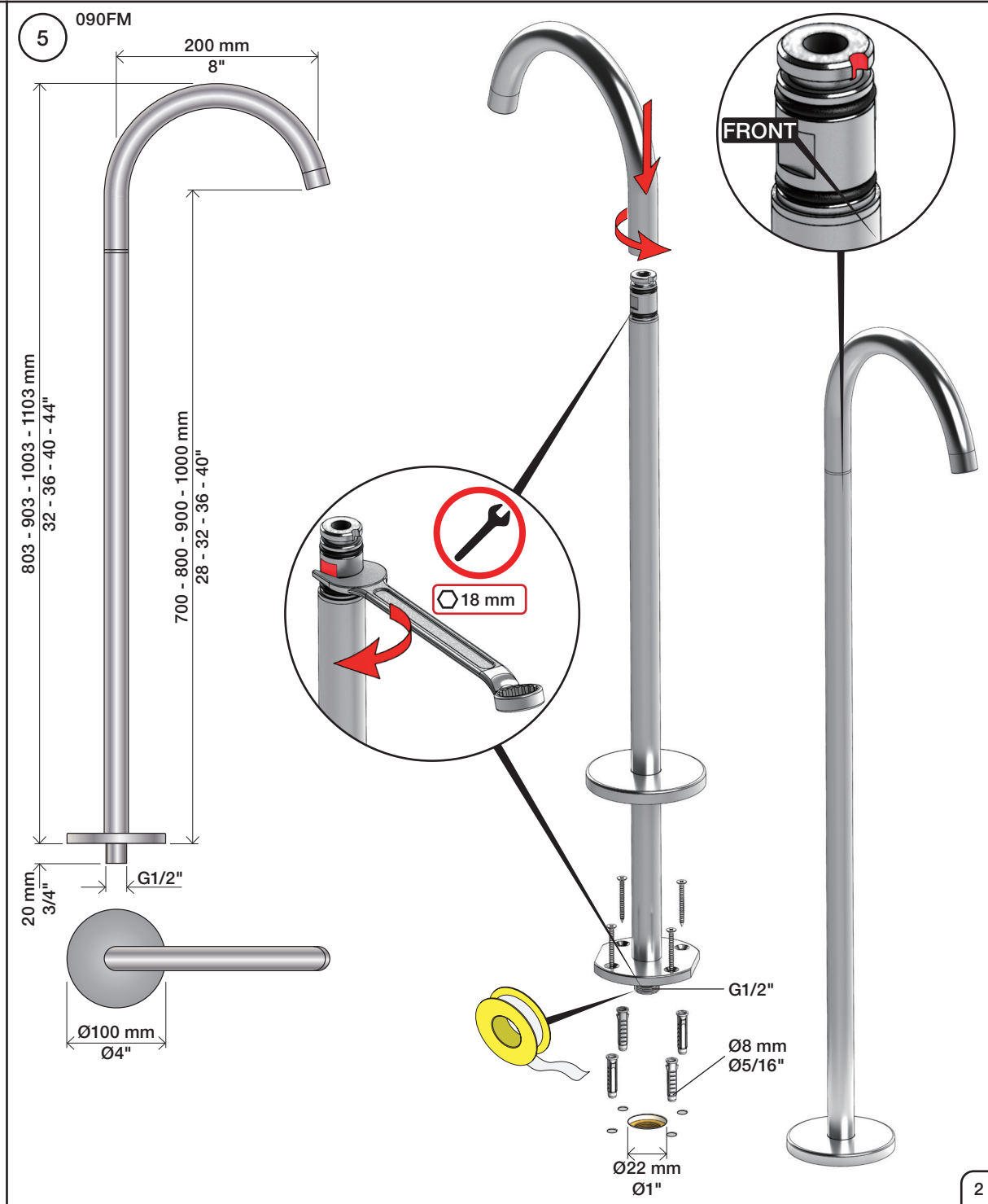
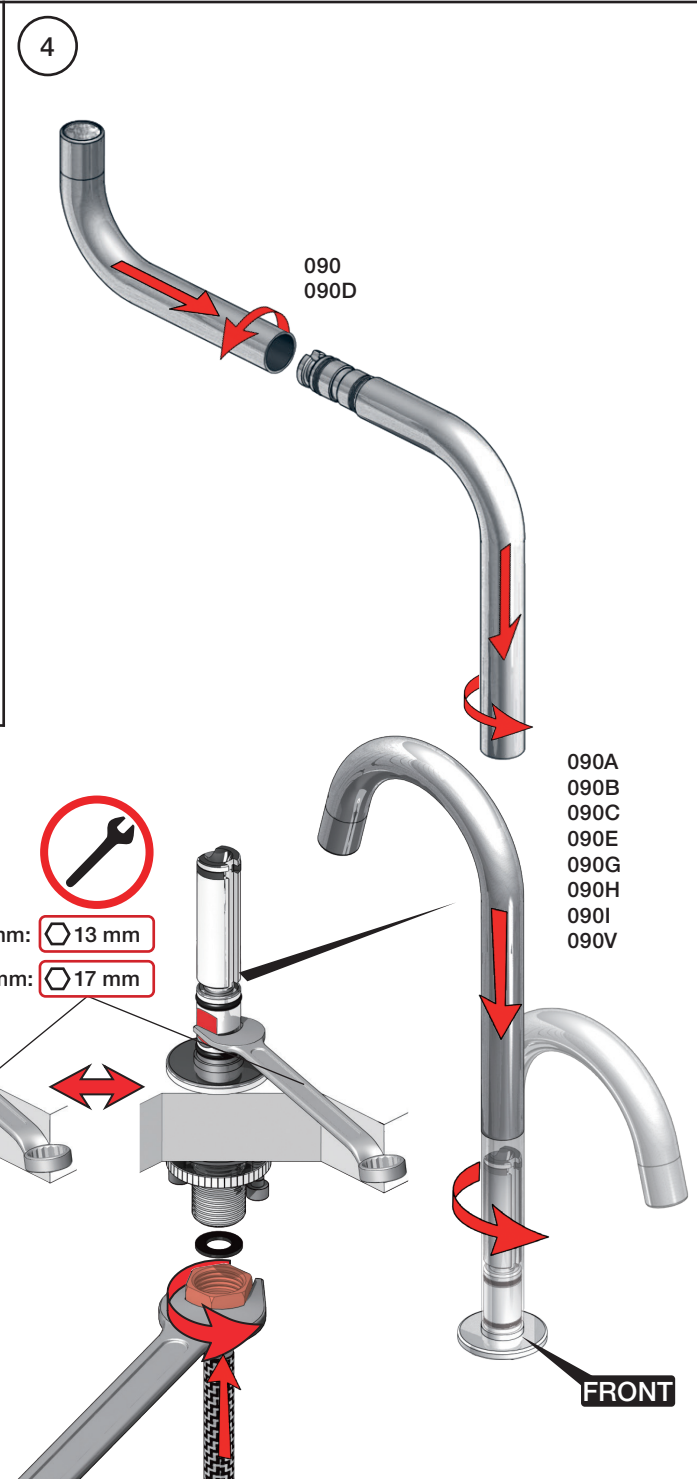
mnt_090_V4_40999824
 21-11-2023



mm:	Ø	H	D	h
090	19	210	200	145
090A	19	110	85	40
090B	19	185	100	114
090C	24	185	100	114
090D	24	220	200	130
090E	24	170	200	65
090G	19	185	140	105
090H	19	265	220	155
090I	19	325	220	215
090V	19	355	145	270

Inches:	Ø	H	D	h
090	3/4"	8 1/4"	8"	5 3/4"
090A	3/4"	4 1/4"	3 1/2"	1 1/2"
090B	3/4"	7"	4"	4 1/2"
090C	1"	7"	4"	4 1/2"
090D	1"	8 3/4"	8"	5"
090E	1"	6 3/4"	8"	2 1/2"
090G	3/4"	7"	5 1/2"	4"
090H	3/4"	10 1/2"	8 5/8"	6"
090I	3/4"	12 3/4"	8 5/8"	8 1/2"
090V	3/4"	14"	5 3/4"	10 1/2"





VOLA 500, 590, 500T1
 VOLA 2500
 VOLA SC1, SC3, SC5, SC7, SC9, SC10, SC12

Fitting instruction
 Montageanleitung
 Monteringsvejledning
 Monteringsvægledning
 Montage hanleiding
 Manuel de montage



04/00027
 04/00038

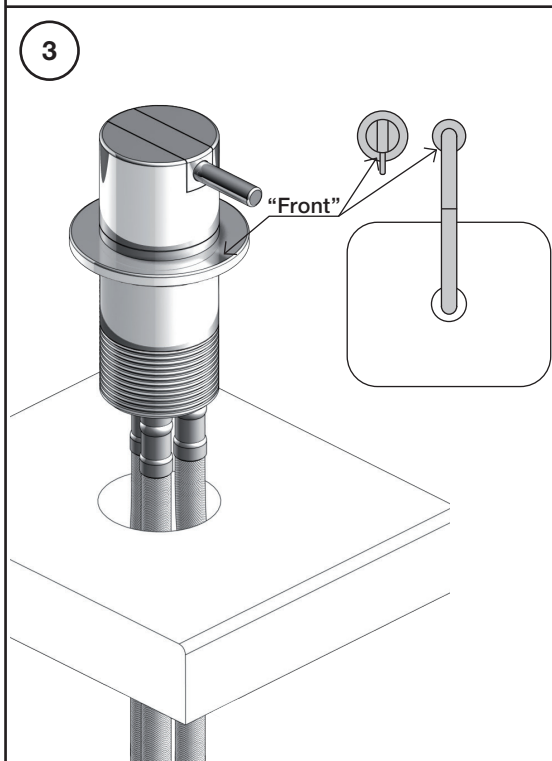
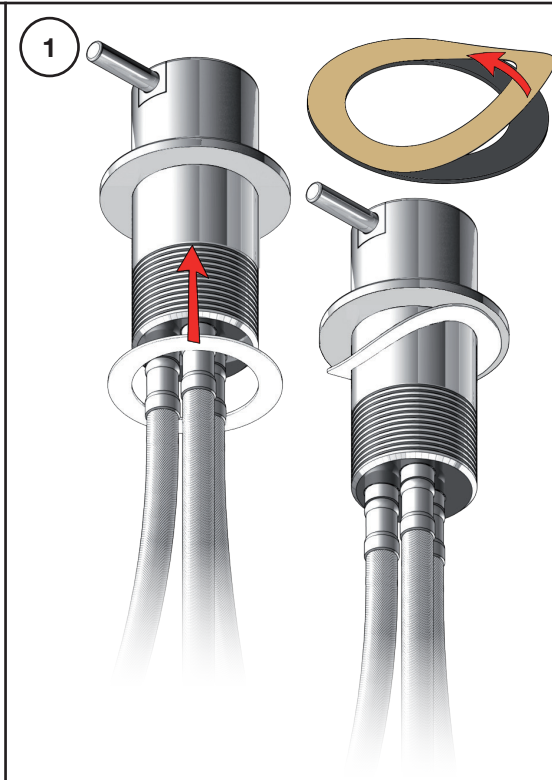
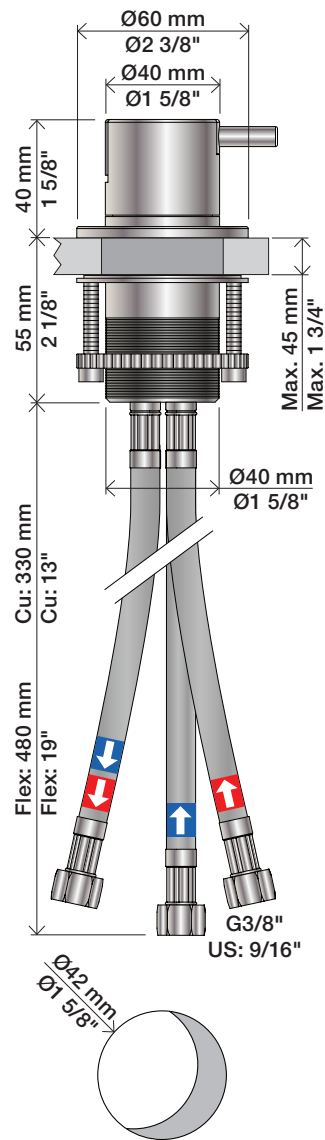


Data, 3 Bar /43.5 Psi:

	l/min.	Gal/min.
500:	14,5	3.8
590:	9,0	2.4
500-T1:	11,0	2.9
2500:	18,7	4.9
SC1:	18,7	4.9
SC5, 7:	18,0	4.8
SC9:	11,0	2.9

Max. 65°C, 150°F

500/2500:



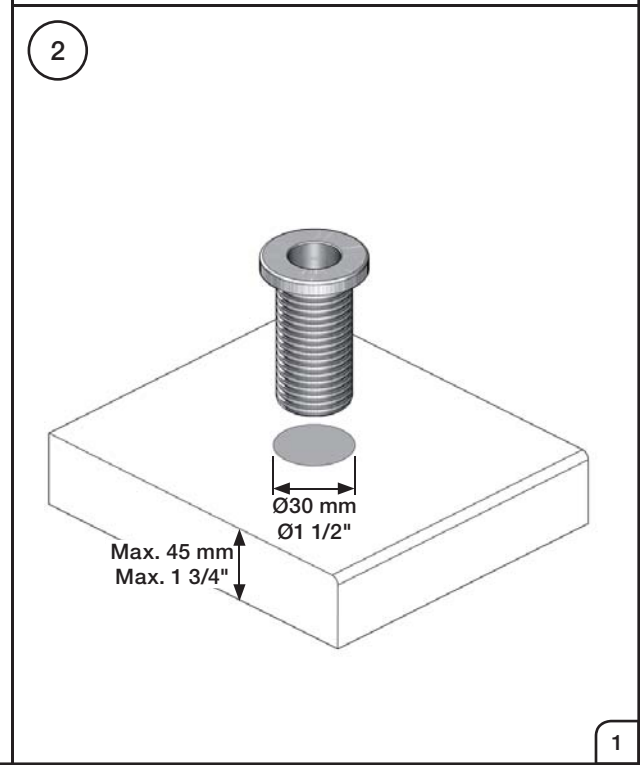
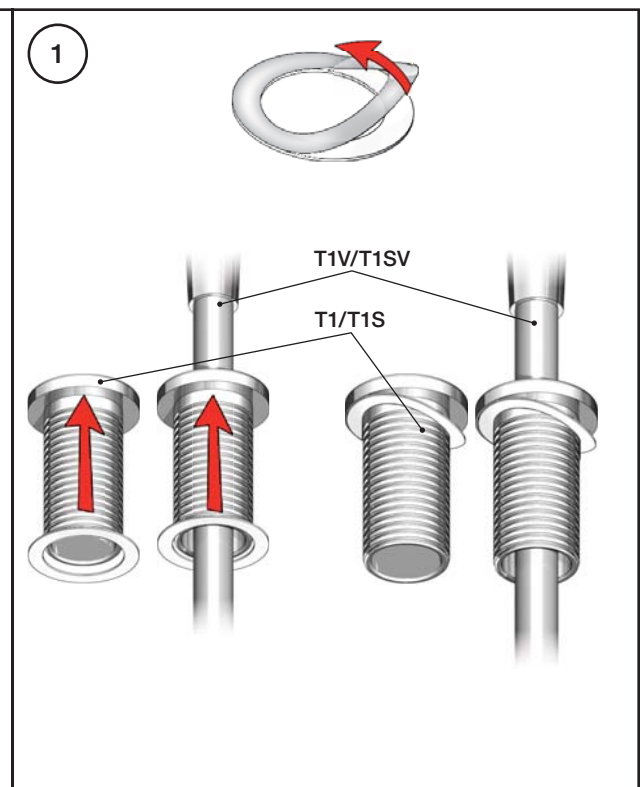
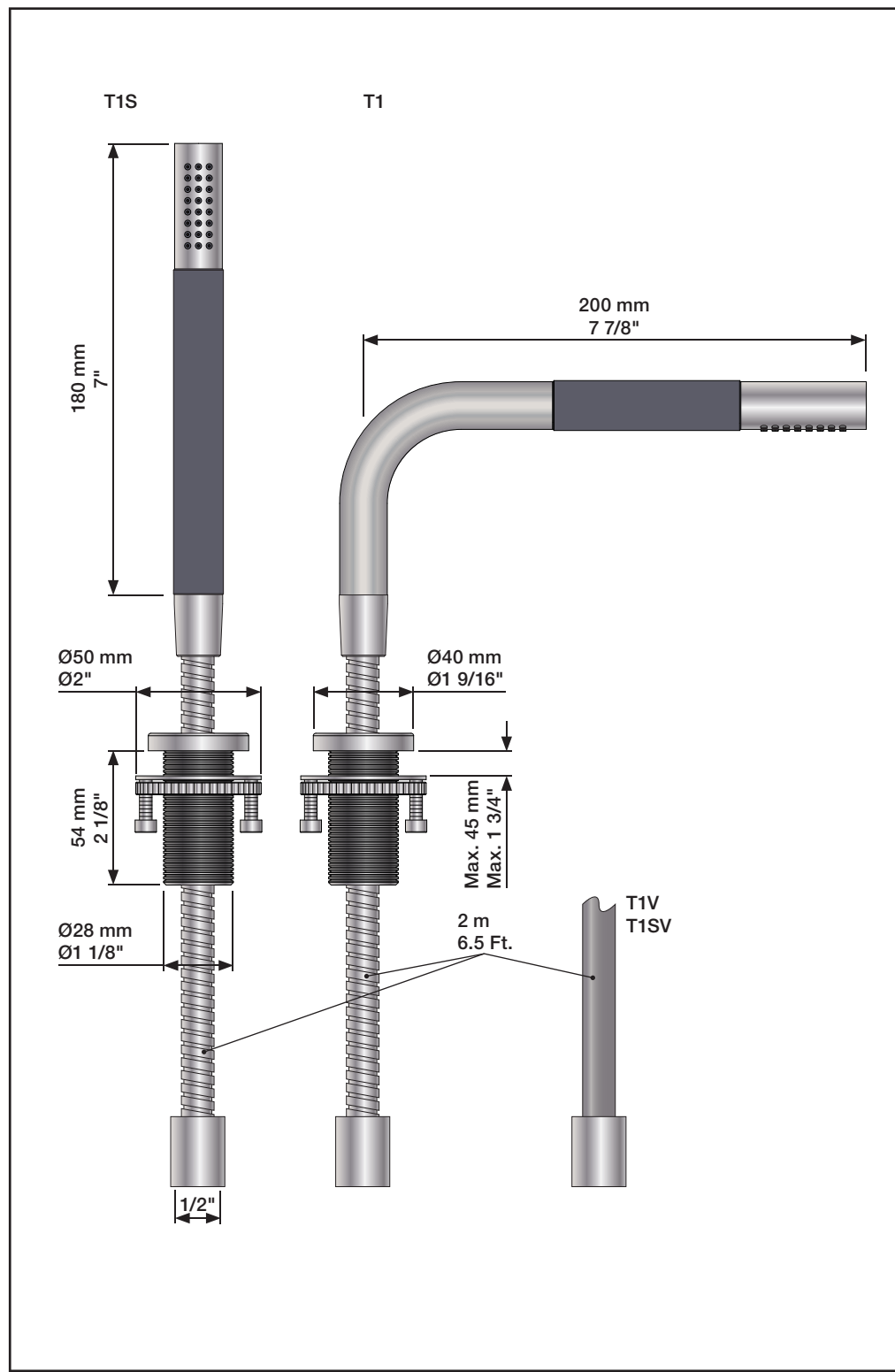
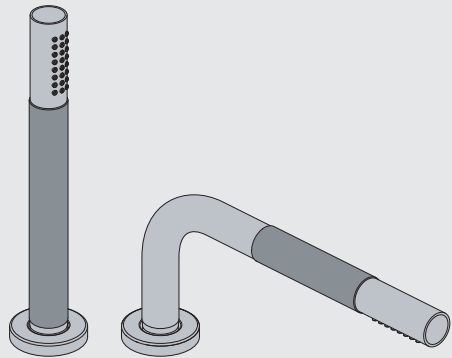
www.vola.com
 500 - 2500_V0_40998137
 02-10-2023



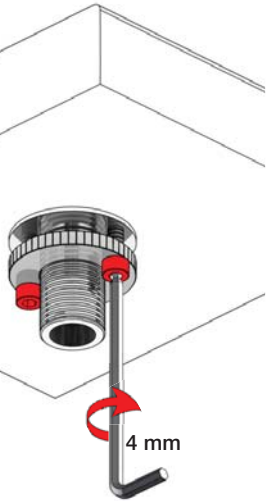
vola



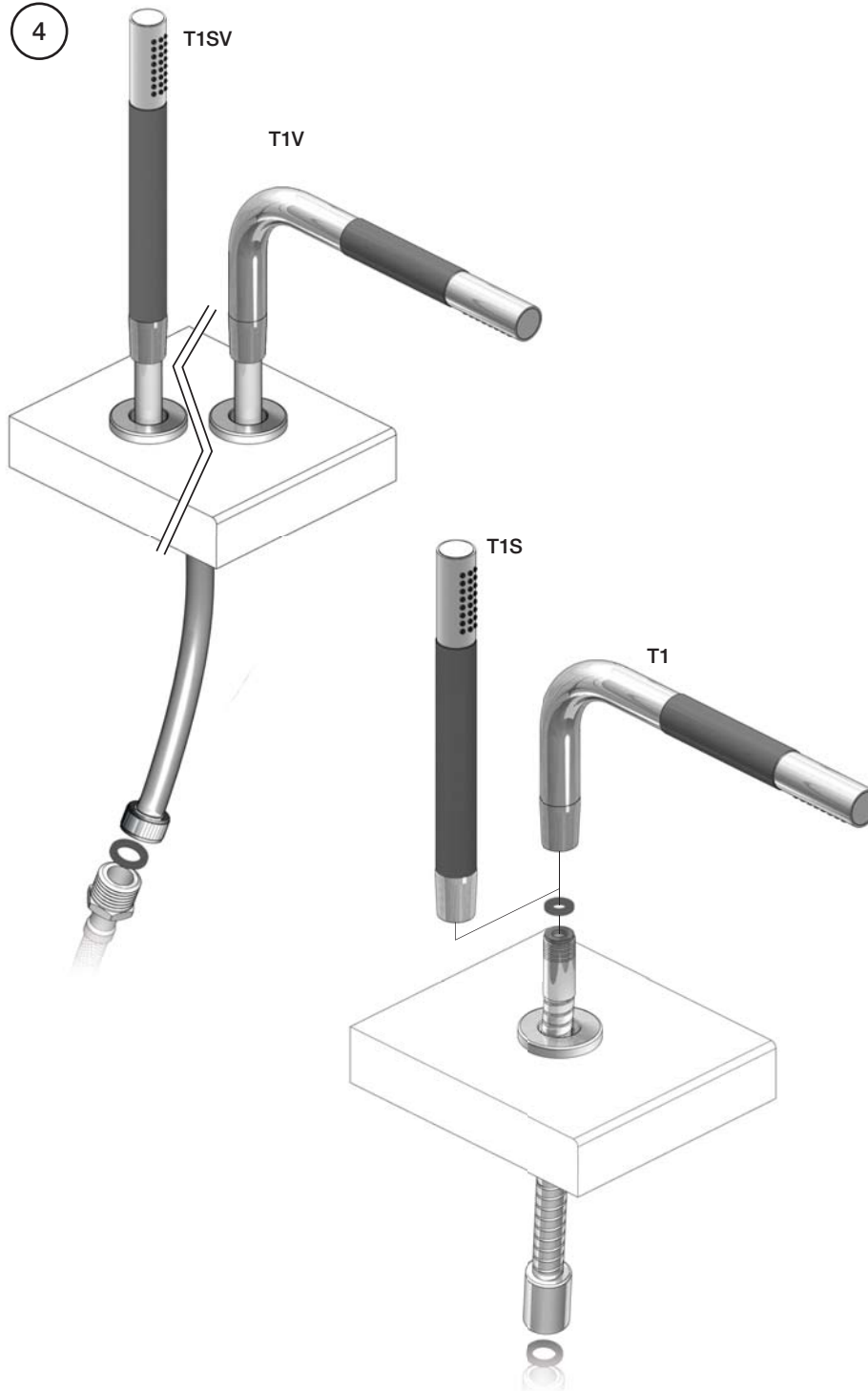
Fitting instruction
 Montageanleitung
 Monteringsvejledning
 Monteringsvægledning
 Montage hanleiding
 Manuel de montage



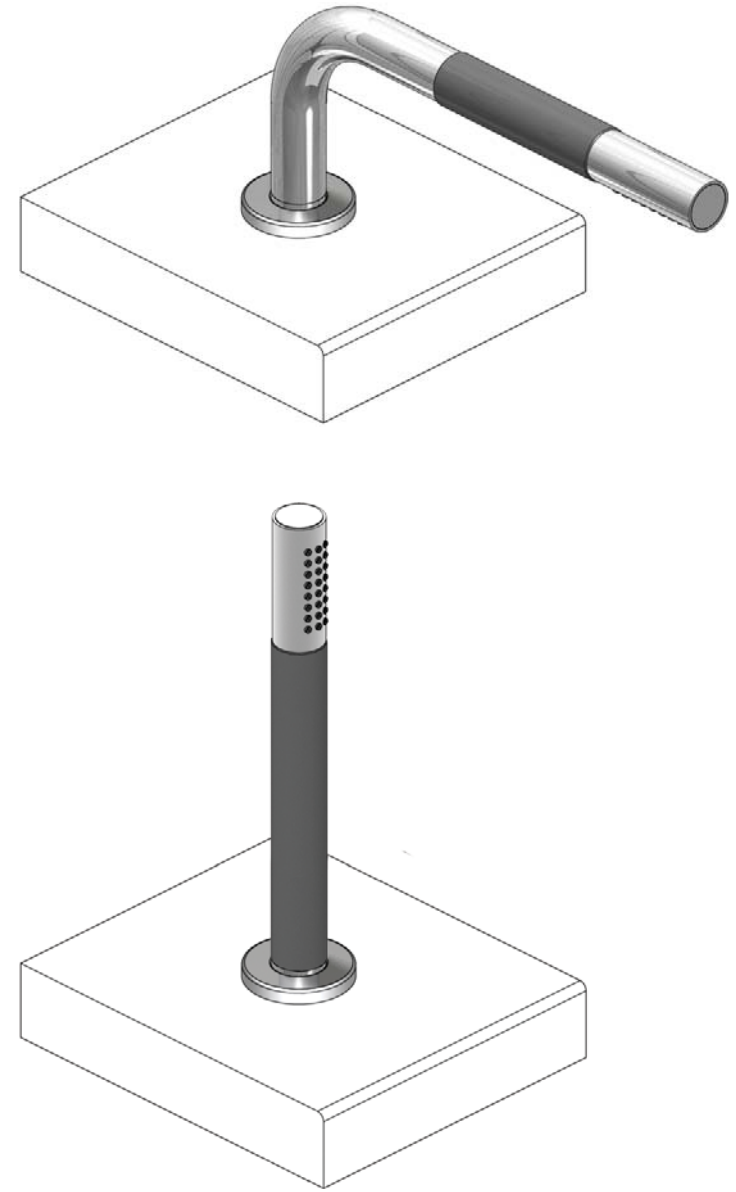
3



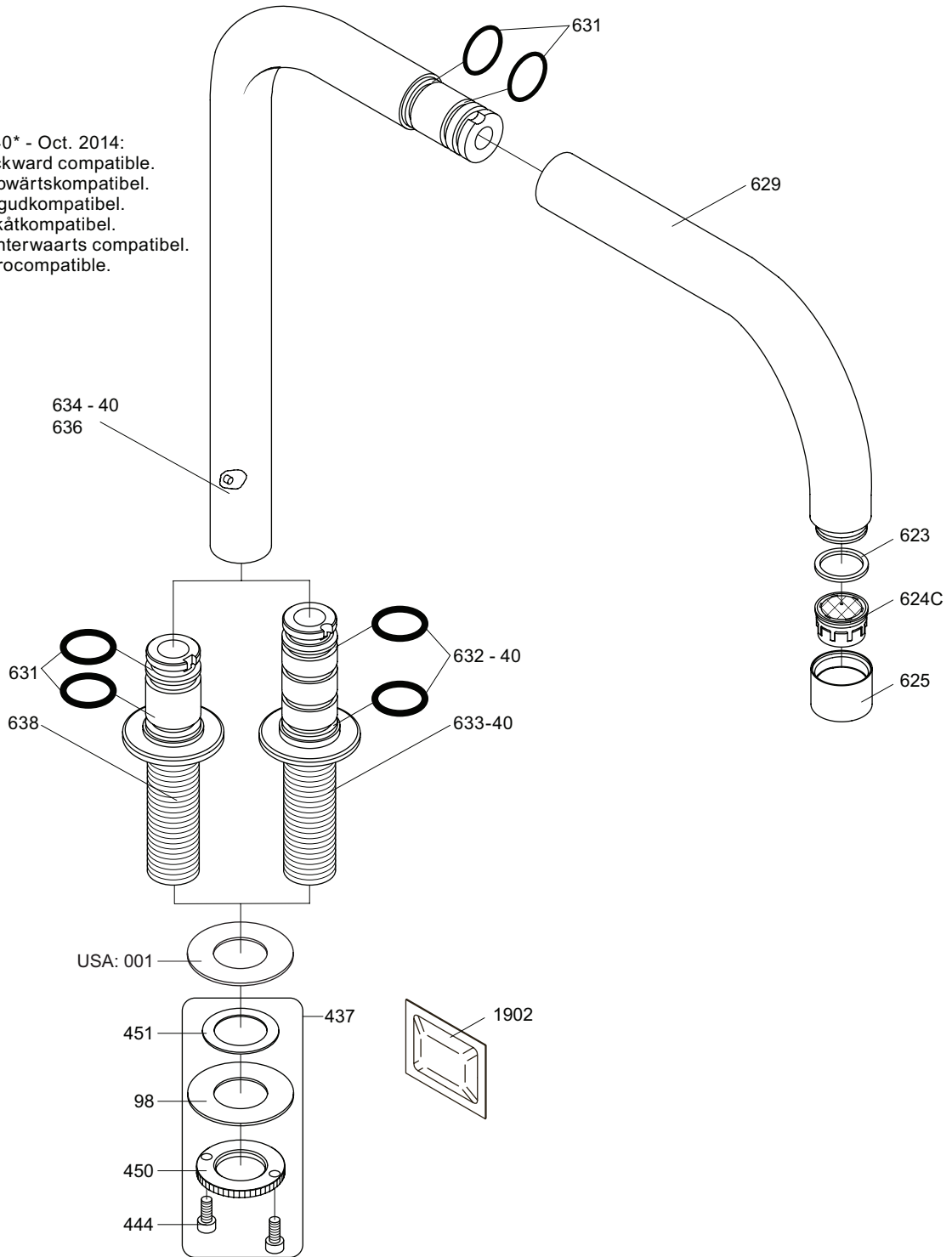
4



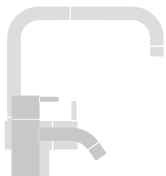
5



634D-40* - Oct. 2014:
 Not backward compatible.
 Nicht abwärtskompatibel.
 Ikke bagudkompatibel.
 Inte bakåtcompatibel.
 Niet achterwaarts compatibel.
 Pas rétrocompatible.



VR090D/C: VR623, VR624C, 4xVR631, VR1902
 VR090D/C-40: VR623, VR624C, 2xVR631, 2xVR632, VR1902
 VR437: VR98, 2xVR444, VR450, VR451



vola
 Lunavej 2
 DK-8700 Horsens
 Tlf : + 45 7023 5500
 sales@vola.com
 www.vola.com

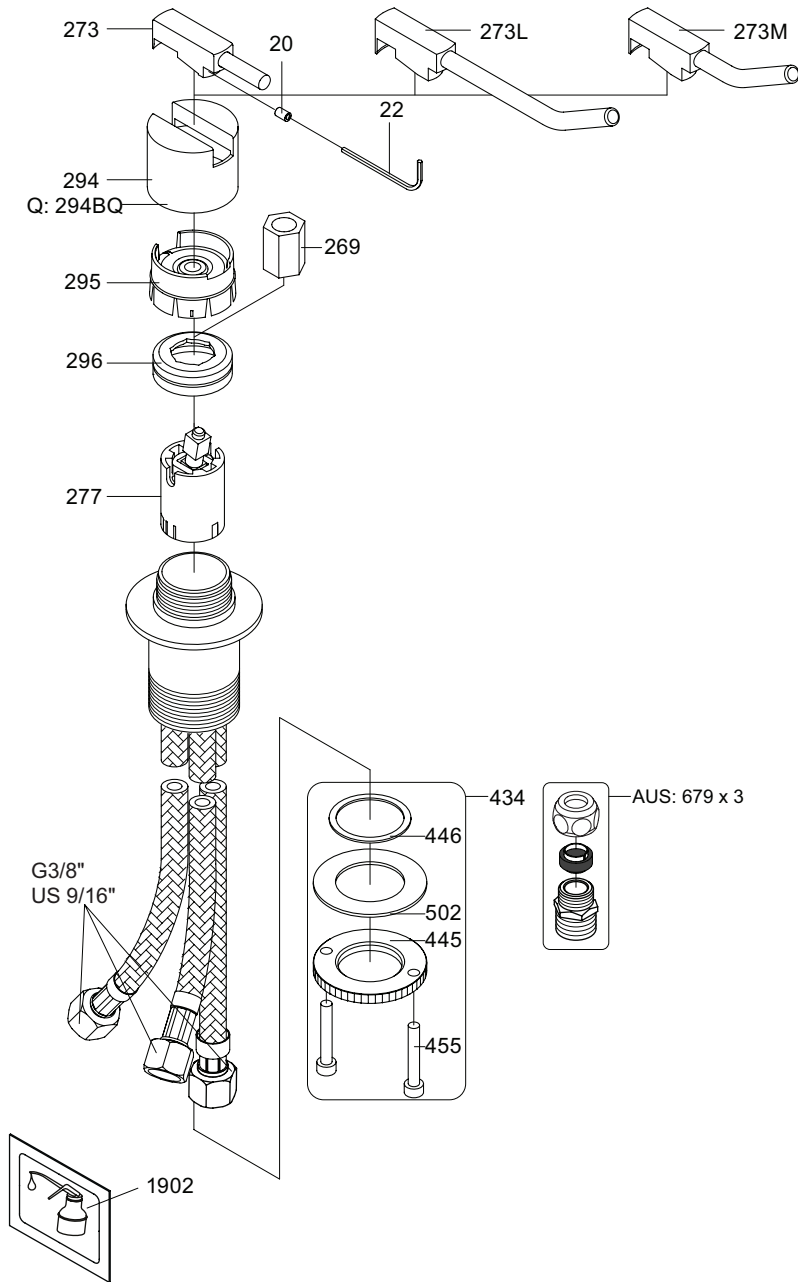
VOLA 090D

Date
 Oct. 14

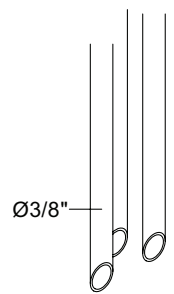
Rev.
 1

Sheet
 SB 18.1

500:



500: Ø10
500US: Ø3/8"



- VR277K: VR22, VR269, VR277
- VR297: VR20, VR22, VR269, VR273, VR277, VR294, VR295, VR296
- VR434: 2xVR444, VR445, 2xVR455, VR502
- NR.10: VR20, VR22, VR273, VR294, VR295



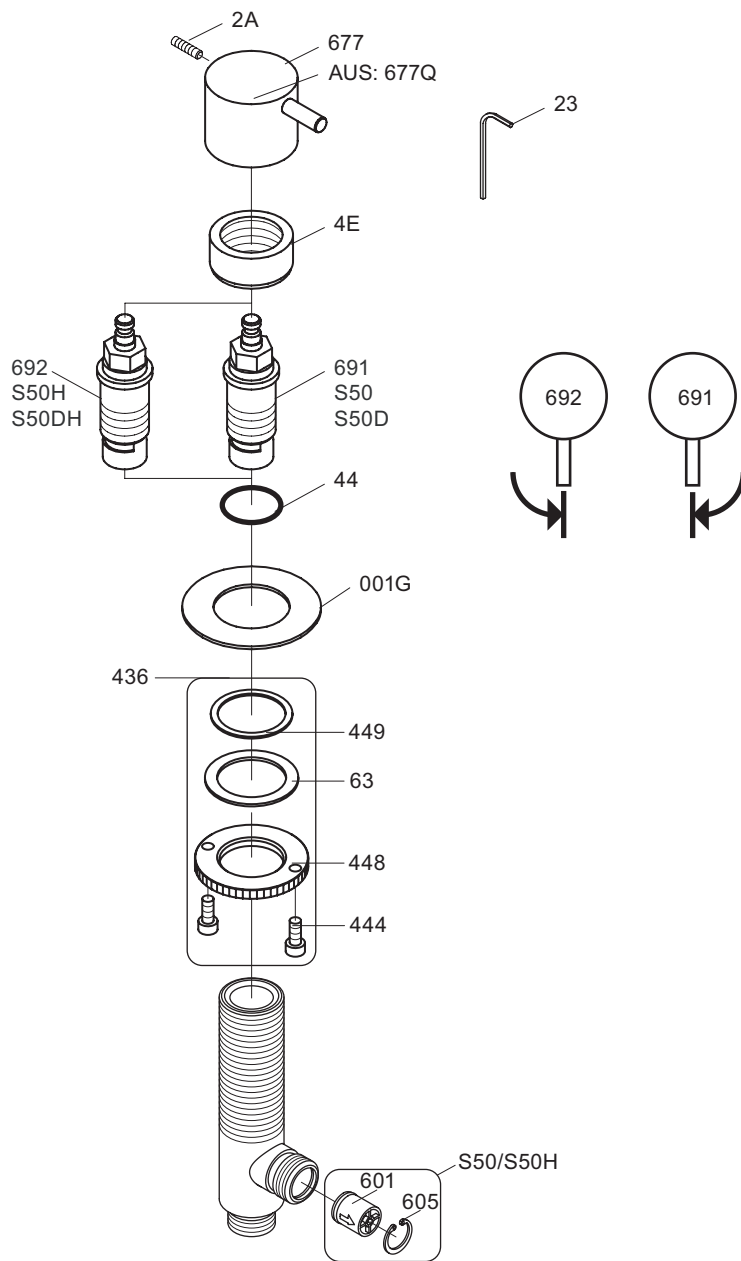
vola
 Lunavej 2
 DK-8700 Horsens
 Tlf : + 45 7023 5500
 sales@vola.com
 www.vola.com

VOLA 500/M/L

Date
Jan. 23

Rev.
4

Sheet
SB 4.1



VR691i: VR23, VR44, VR691
 VR692i: VR23, VR44, VR692
 VR436: VR63, 2xVR444, VR448, VR449
 NR.7: VR2A, VR23, VR677



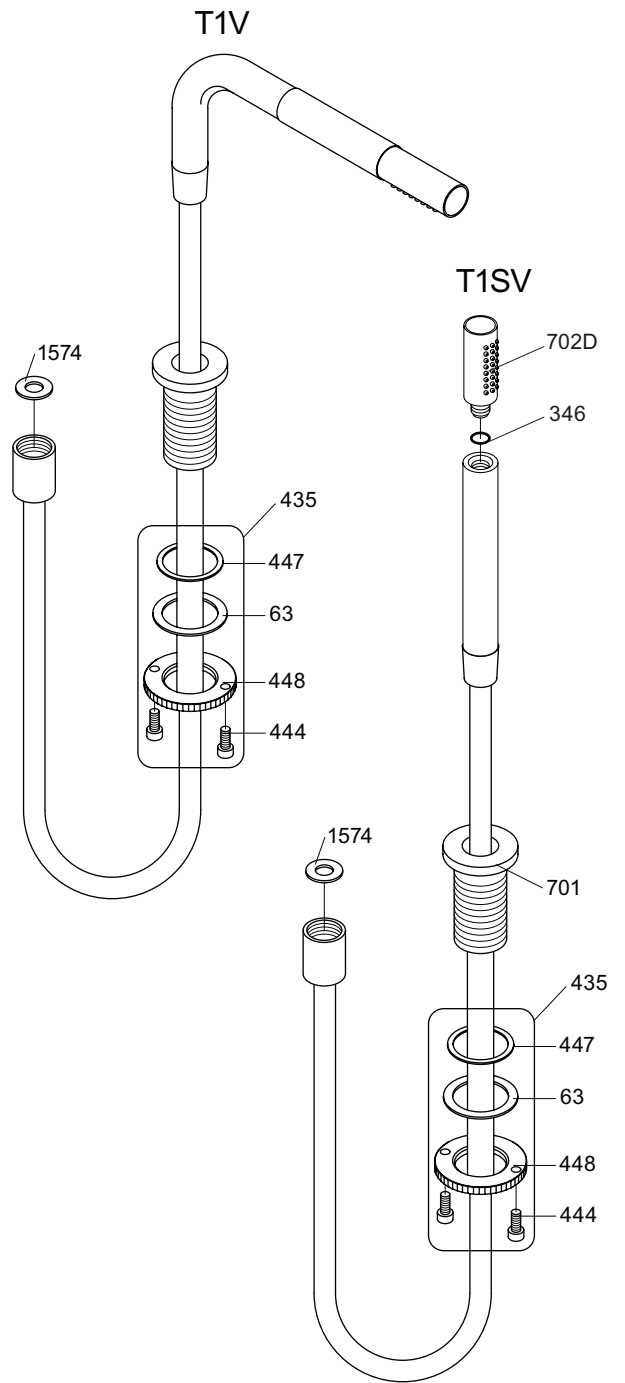
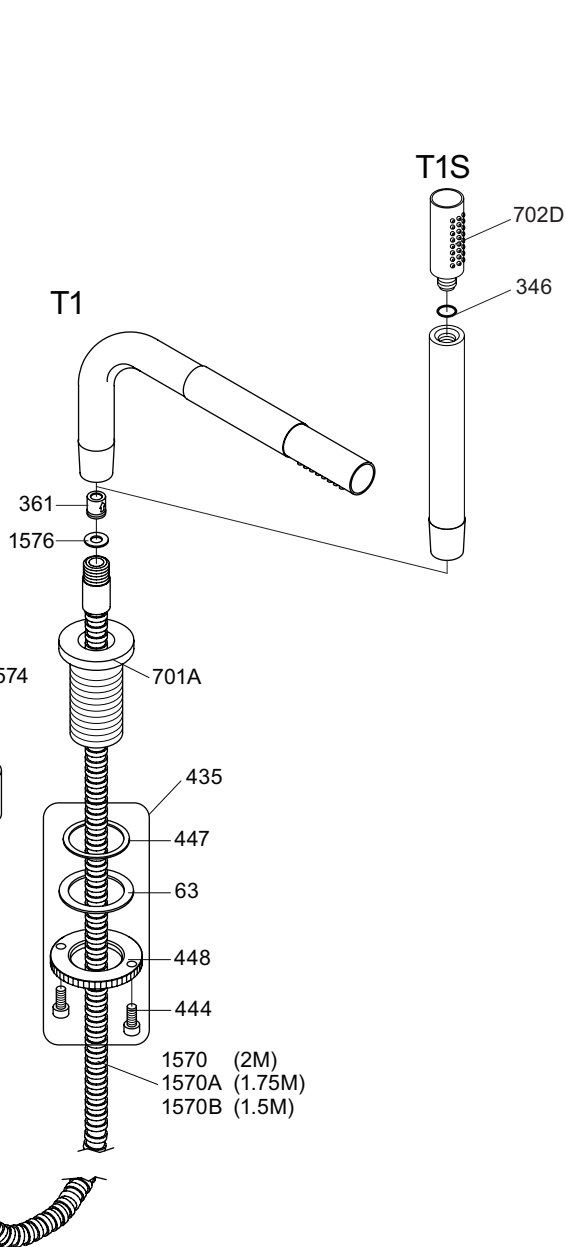
vola
 Lunavej 2
 DK-8700 Horsens
 Tlf : + 45 7023 5500
 sales@vola.com
 www.vola.com

VOLA S50/S50H VOLA S50D/S50DH

Date
Sep. 09

Rev.
2

Sheet
SB 31.3



VR435: VR63, 2xVR444, VR447, VR448



vola
Lunavej 2
DK-8700 Horsens
Tlf : + 45 7023 5500
Fax: + 45 7023 5511
sales@vola.com
www.vola.com

VOLA T1, T1S T1V, T1SV

Date
Jun. 17

Rev.
6

Sheet
SB 39